

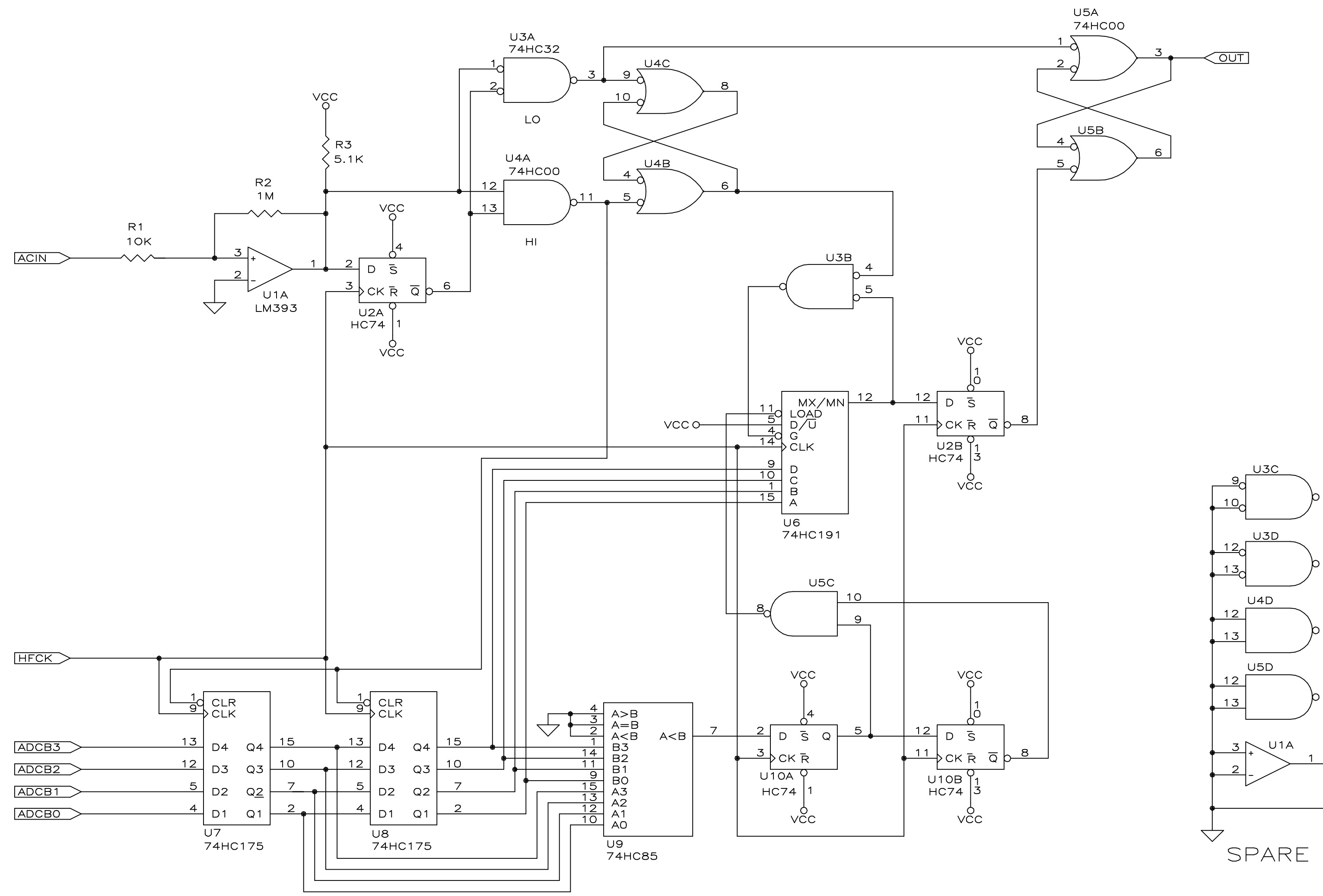
4

3

2

1

REVISION HISTORY				
ZONE	REV	DESCRIPTION	DATE	APPROVED
	A	REWIRED U5-5 FROM U2-9 TO U2-8	08DEC2008	



DWG. NO. SH 1 REV.

ITEM	QTY	REQD	CAGE CODE	PART OR IDENTIFYING NO.	NOMENCLATURE OR DESCRIPTION	MATERIAL SPECIFICATION
PARTS LIST						
UNLESS OTHERWISE SPECIFIED DIMENSIONS ARE IN INCHES TOLERANCES ARE:					CONTRACT NO.	
FRACTIONS ± 1/32			DECIMALS .XX ± 0.005 .XXX ± 0.001		APPROVALS DATE	
ANGLES ± 1°			MATERIAL		DRAWN	
FINISH			NEXT ASSY USED ON		CHECKED	
APPLICATION			DO NOT SCALE DRAWING		ISSUED J FIELDS 08DEC08	
Austin Instruments, Inc. Austin, Republic of Texas					SINE WAVE AMPLITUDE TO PULSE WIDTH CONVERTER	
SIZE	CAGE CODE	DWG. NO.	REV.			
C	ØNM76	SED20081208	A			
SCALE	NTS	AMP2PW.DWG	SHEET 1 OF 1			

4

3

2

1

A