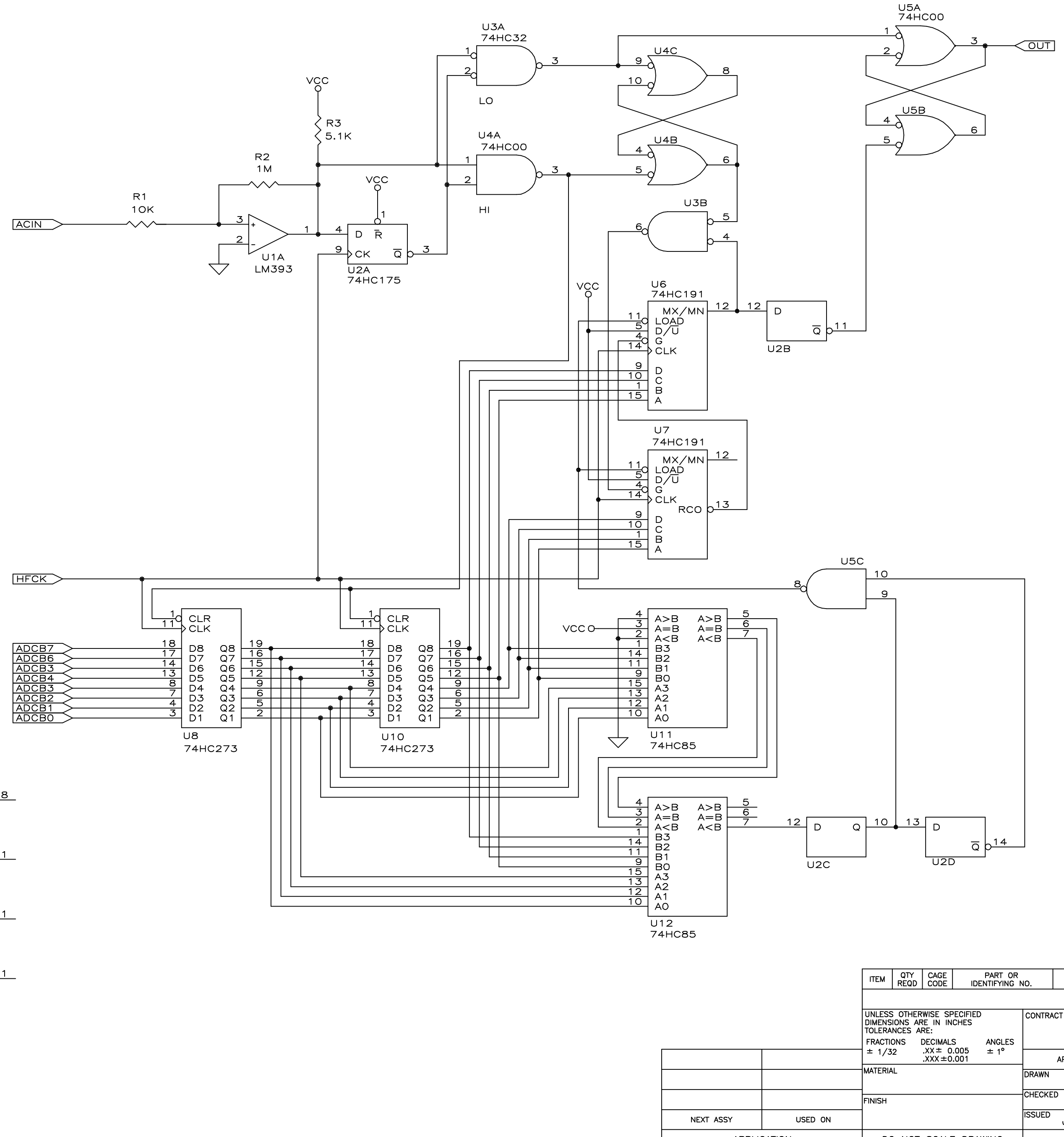


REVISION HISTORY				
ZONE	REV	DESCRIPTION	DATE	APPROVED



ITEM	QTY REQD	CAGE CODE	PART OR IDENTIFYING NO.	NOMENCLATURE OR DESCRIPTION	MATERIAL SPECIFICATION
PARTS LIST					
UNLESS OTHERWISE SPECIFIED DIMENSIONS ARE IN INCHES TOLERANCES ARE:			CONTRACT NO.		
FRACTIONS	DECIMALS	ANGLES	Austin Instruments, Inc. Austin, Republic of Texas		
± 1/32	.XX ± 0.005	± 1°			
MATERIAL			APPROVALS	DATE	8 BIT SINE WAVE AMPLITUDE TO PULSE WIDTH CONVERTER
FINISH			CHECKED	ISSUED	SIZE CAGE CODE DWG. NO. REV.
NEXT ASSY	USED ON	APPLICATION	J FIELDS 09DEC08		C ØNM76 SED20081209
DO NOT SCALE DRAWING			SCALE NTS		SHEET 1 OF 1

DWG. NO. SH 1 REV.