

USED ON
1A385

AUDIO TRANSFORMER SPECIFICATIONS

TYPE: 10 WATT OUTPUT TRANSFORMER
 DESCRIPTION: VERTICAL MOUNTING WITH SIDE COVERS
 CORE TYPE & MATERIAL: .019" AUDIO "C" A.A.S.
 CORE SIZE: 7/8 STACK 1"
 INTERLACE: 2 x 2 BUTT GAP
 TERMINATION: LEADS
 STATIC SHIELDS: NONE
 IMPREGNATION: VACUUM VARNISH BAKE
 TEMPERATURE RISE: °C MAX. DUTY MAX. AMB. TEMP. °C
 REGULATION: % VOLTS CYCLES
 MOUNTING: VERTICAL WITH SIDE COVERS
 EXTERNAL FINISH: BLACK ENAMEL

REFLECTED IMPEDANCE AT 1000 CYCLES 9000 OHMS ± 10 %
 PRIMARY TURNS 2500 ± 2 % NO. 36 B. & S. GA. ENAMEL WIRE
 RATIO
 TAPPED AT CENTER TURNS FROM START
 MINIMUM IMPEDANCE OHMS VOLTS CYCLES D.C. COMPONENT
 D.C. RESISTANCE AT 20°C.
 RATING 10 WATTS CYCLES
 NOTES: + 2 DB - 50 - 12000 C.P.S.

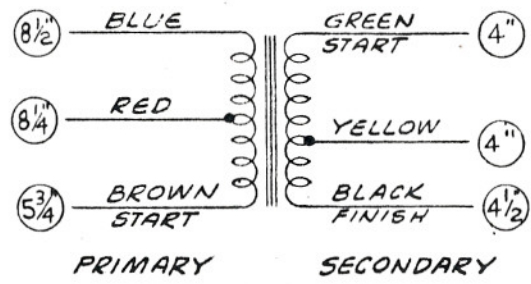
SECONDARY NO. 1	500	OHMS LOAD	617	TURNS ± 2	% NO. 31	B. & S. GA. WIRE
TAP AT 6		OHMS LOAD	68	FROM FINISH NO. 20		B. & S. GA. WIRE
TAP AT		OHMS LOAD		FROM START NO.		B. & S. GA. WIRE
TAP AT		OHMS LOAD		FROM START NO.		B. & S. GA. WIRE
TAP AT		OHMS LOAD		FROM START NO.		B. & S. GA. WIRE
TAP AT		OHMS LOAD		FROM START NO.		B. & S. GA. WIRE
SECONDARY NO.		OHMS LOAD		TURNS ±	% NO.	B. & S. GA. WIRE
TAP AT		OHMS LOAD		FROM START NO.		B. & S. GA. WIRE
SECONDARY NO.		OHMS LOAD		TURNS ±	% NO.	B. & S. GA. WIRE
TAP AT		OHMS LOAD		FROM START NO.		B. & S. GA. WIRE
SECONDARY NO.		OHMS LOAD		TURNS ±	% NO.	B. & S. GA. WIRE
TAP AT		OHMS LOAD		FROM START NO.		B. & S. GA. WIRE

NOTES:

BREAKDOWN: WINDING TO CORE AND ALL OTHER WINDINGS AS NOTED:
 PRIMARY 1600 V A.C.
 SECONDARY 1 1600 V A.C.
 SECONDARY V
 SECONDARY V
 SECONDARY V
 APPLY VOLTS 240 CYCLES
 FOR 1/2 MIN. BETWEEN & ALL OTHER WINDINGS OPEN.

NOTES:
 LEADS AND CONSTRUCTION TO BE IN ACCORD WITH UNDERWRITERS
 57 HENRY MIN. - 85 - OPTIMUM

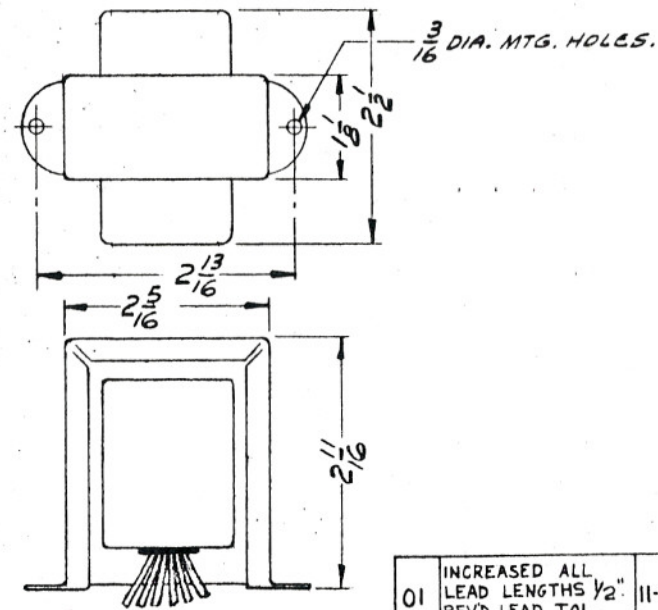
SCHEMATIC DIAGRAM



LEAD LENGTHS MEASURED FROM BOTTOM OF COVER INCLUDE 3/8" TINNED ENDS. LEAD LENGTHS TOLERANCE ± 1/2" (01)

PHASING - CONNECT & APPLY VOLTS CYCLES BETWEEN & MEASURE VOLTS BETWEEN &

PHYSICAL SPECS



01	INCREASED ALL LEAD LENGTHS 1/2" REVD. LEAD TOL. WAS "FROM START"	11-16-56	APPR.
ISSUE	WAS	DATE	APPR.

DUKANE
 CORPORATION
 ESTABLISHED AS "OPERADIO" 1922
 ST. CHARLES, ILLINOIS, U.S.A.

TRANSFORMER - OUTPUT FOR 1A385 AMPLIFIER

SCALE	DATE 10-26-55	01
DRAWN (PW)	APPD	NO. 710-2054
CHECKED	ENGR (JL)	
		ISSUE