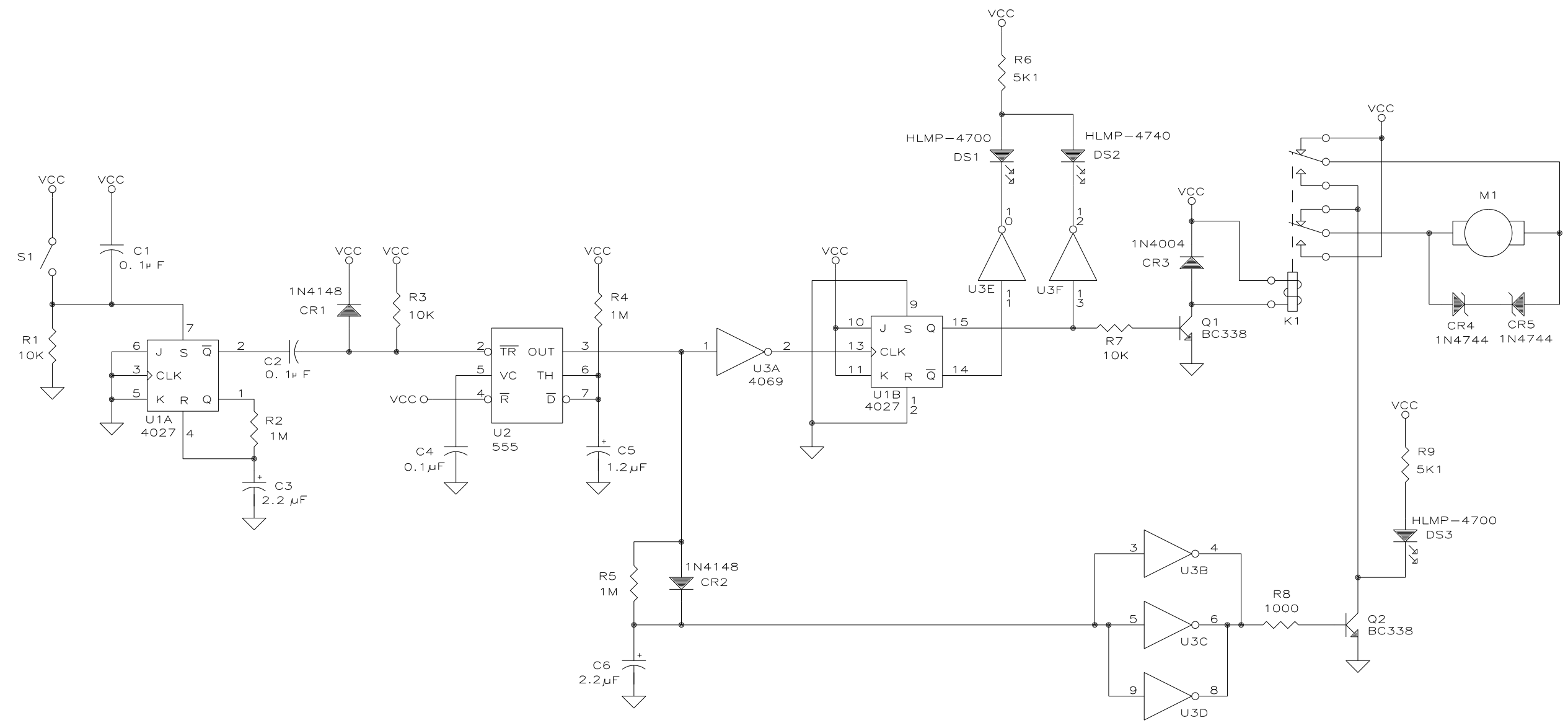


REVISION HISTORY			
REV	DESCRIPTION	DATE	APPROVED



ITEM	QTY REQD	CAGE CODE	PART OR IDENTIFYING NO.	NOMENCLATURE OR DESCRIPTION	MATERIAL SPECIFICATION
------	----------	-----------	-------------------------	-----------------------------	------------------------

PARTS LIST

UNLESS OTHERWISE SPECIFIED DIMENSIONS ARE IN INCHES TOLERANCES ARE: FRACTIONS ± 1/32 DECIMALS .XX ± 0.005 ANGLES ± 1° .XXX ± 0.001		CONTRACT NO.		Austin Instruments, Inc. Austin, Republic of Texas	
MATERIAL		APPROVALS	DATE		
FINISH		CHECKED		555 MOTOR CONTROLLER SIZE B CAGE CODE ØNM76 DWG. NO. SED20060610 REV.	
NEXT ASSY	USED ON	ISSUED	J FIELDS 10JUN06		
APPLICATION		DO NOT SCALE DRAWING		SCALE	NTS 555CNTRLR.DWG SHEET 1 OF 1