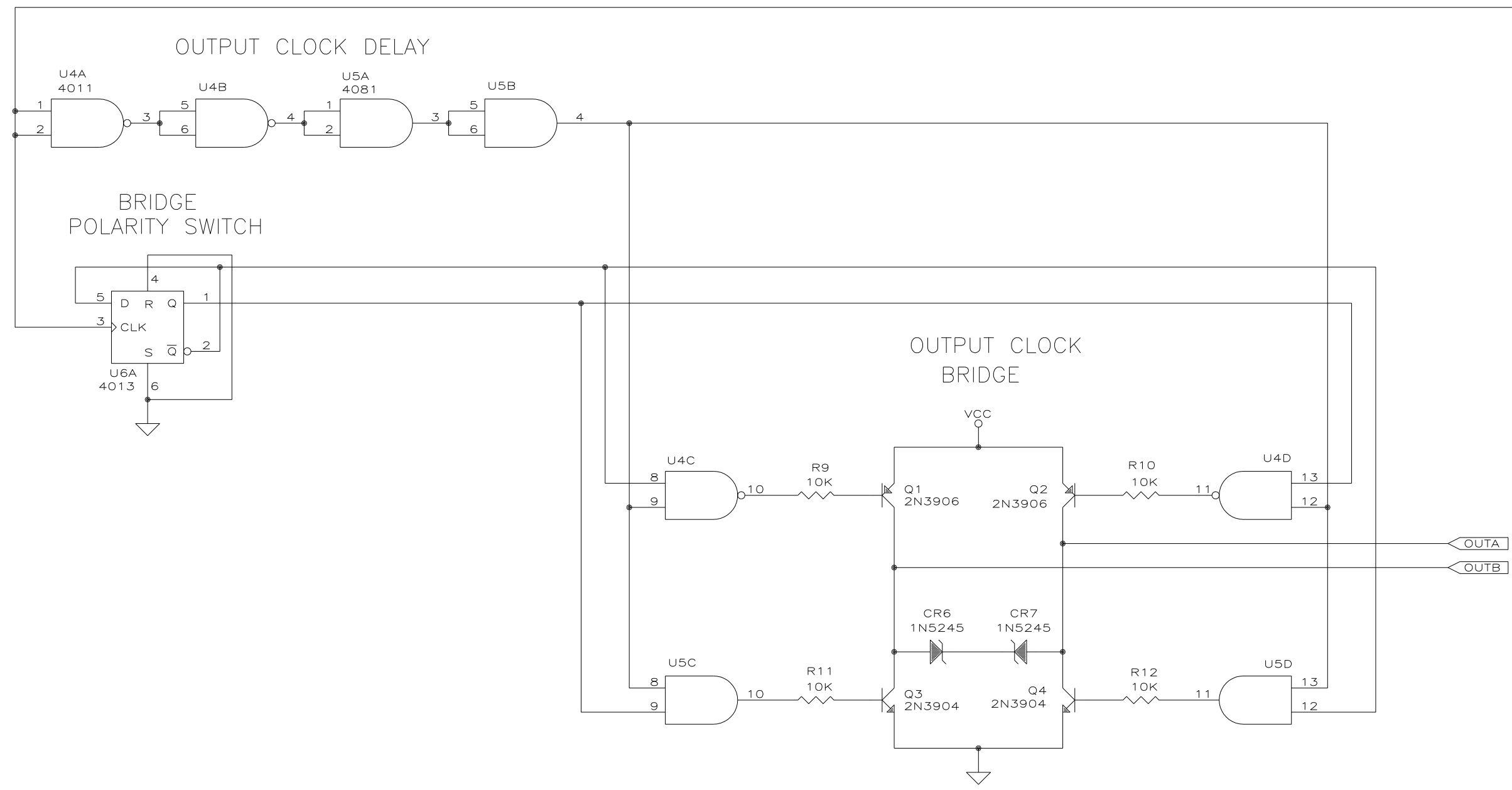
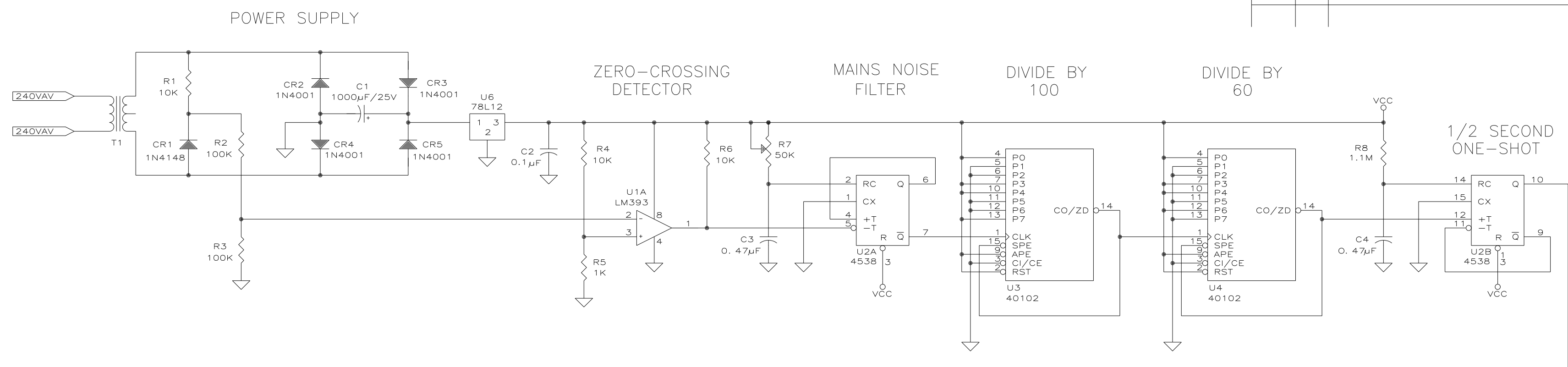
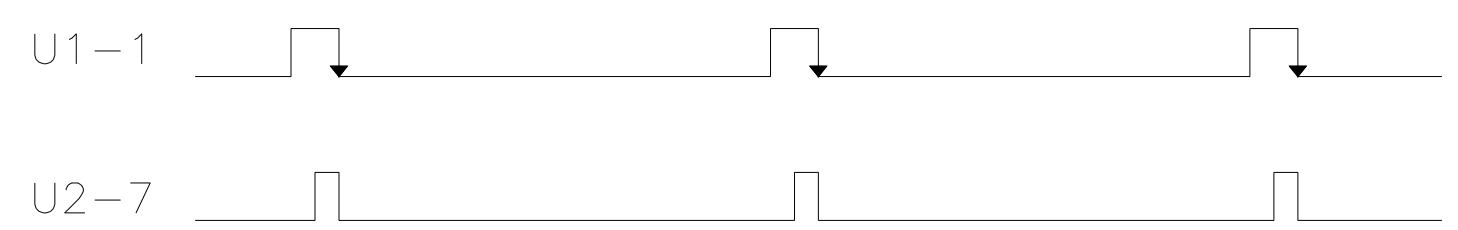


REVISION HISTORY				
ZONE	REV	DESCRIPTION	DATE	APPROVED
	A	CHANGED U3 AND U4 TO 40102	26MAY06	
	B	REWIRED U3 PRESETS	26MAY06	



NOTES:
 1. ADJUST R7 SO THAT U2-7 GOES HIGH WHILE U1-1 IS HIGH:



ITEM	QTY	CAGE	PART OR	NOMENCLATURE	MATERIAL
RECD		CODE	IDENTIFYING NO.	OR DESCRIPTION	SPECIFICATION
PARTS LIST					
UNLESS OTHERWISE SPECIFIED DIMENSIONS ARE IN INCHES TOLERANCES ARE:			CONTRACT NO.		
FRACTIONS	DECIMALS	ANGLES	 Austin, Republic of Texas		
± 1/32	.XX = 0.005	± 1°			
MATERIAL			APPROVALS	DATE	ONE MINUTE TIME BASE
FINISH			CHECKED		
NEXT ASSY	USED ON	ISSUED	J FIELDS	26MAY06	SIZE C
APPLICATION		DO NOT SCALE DRAWING	ISSUED	J FIELDS	26MAY06
			SCALE	NTS	50HZCNTR.DWG
			SHEET	1	OF 1

DWG. NO. SED20060526 SH 1 REV B