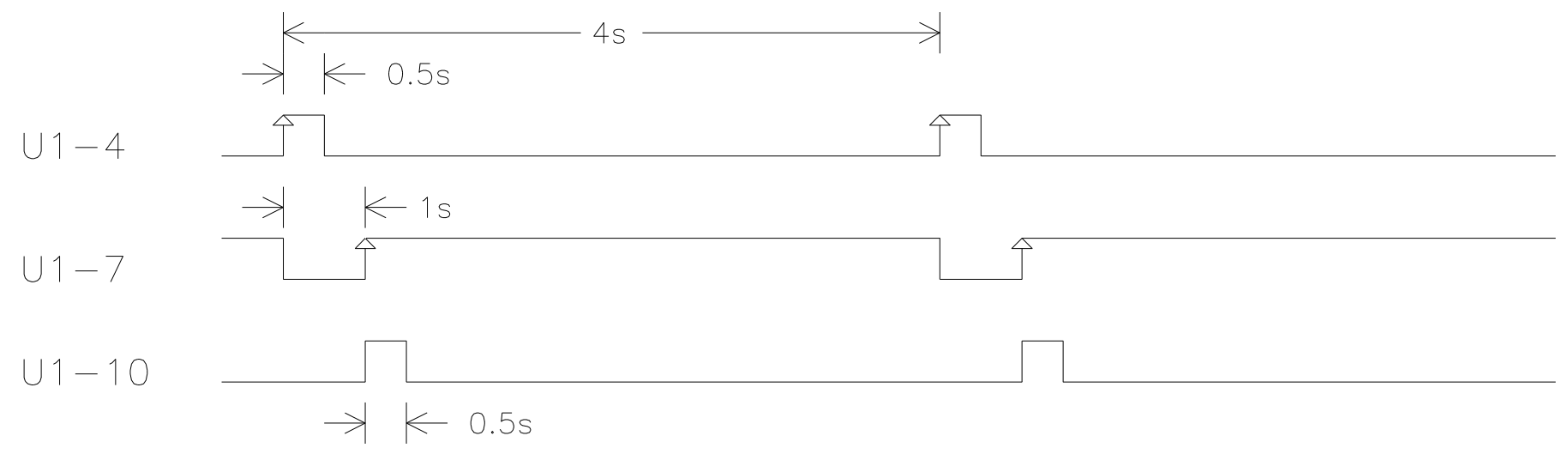
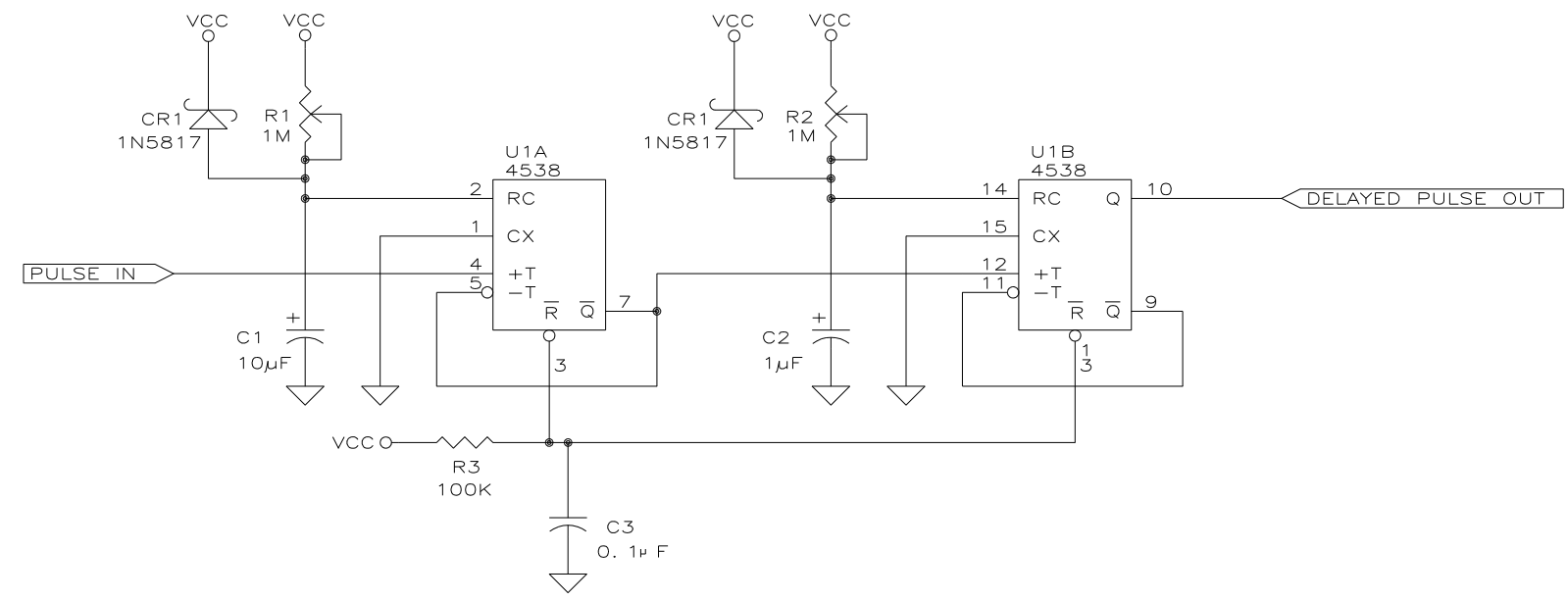


REVISION HISTORY			
REV	DESCRIPTION	DATE	APPROVED



ITEM	QTY REQD	CAGE CODE	PART OR IDENTIFYING NO.	NOMENCLATURE OR DESCRIPTION	MATERIAL SPECIFICATION
PARTS LIST					
UNLESS OTHERWISE SPECIFIED DIMENSIONS ARE IN INCHES TOLERANCES ARE: FRACTIONS    DECIMALS    ANGLES ± 1/32        .XX ± 0.005    ± 1° .XXX ± 0.001				CONTRACT NO.	
MATERIAL				APPROVALS	DATE
FINISH				CHECKED	
NEXT ASSY      USED ON				ISSUED J FIELDS	05SEP06
APPLICATION				DO NOT SCALE DRAWING	
Austin Instruments, Inc. Austin, Republic of Texas		PULSE DELAY TIMER			
SIZE	CAGE CODE	DWG. NO.	REV.		
B	ØNM76	SED 20060905			
SCALE	NTS	4538 PLSDELAY.DWG	SHEET	1 OF 1	