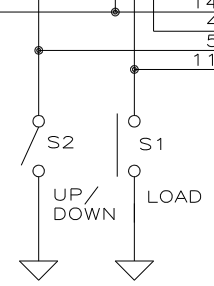
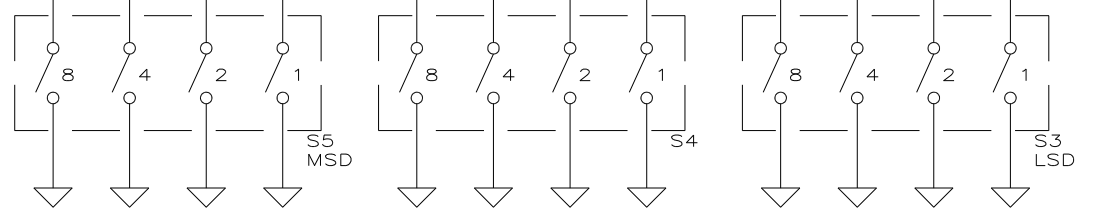
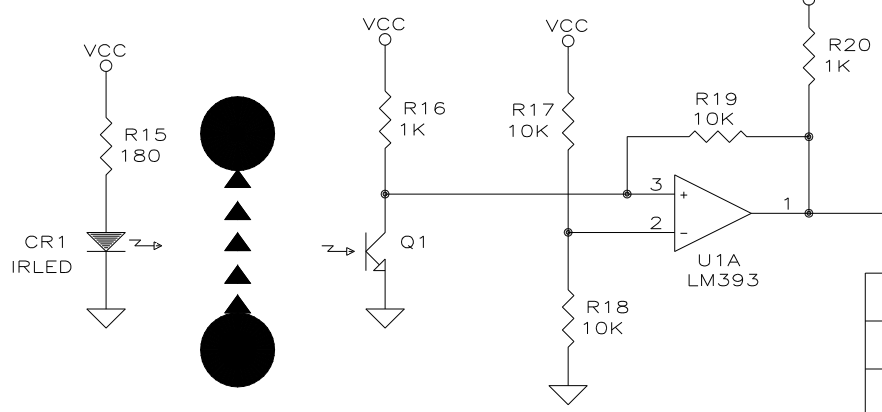
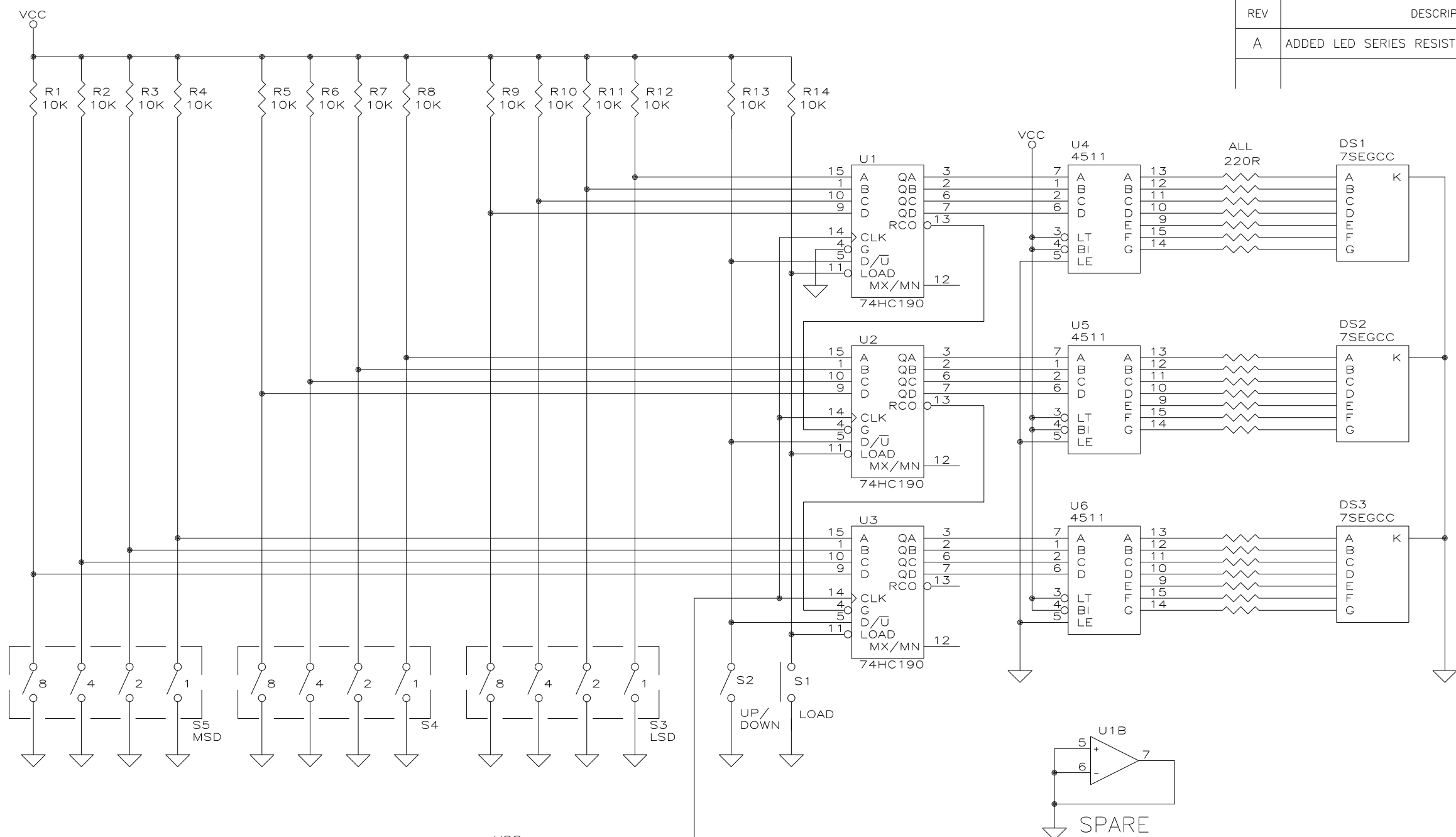
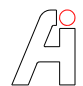


REVISION HISTORY			
REV	DESCRIPTION	DATE	APPROVED
A	ADDED LED SERIES RESISTORS AND INTERRUPTOR	04MAY2006	



ITEM	QTY REQD	CAGE CODE	PART OR IDENTIFYING NO.	NOMENCLATURE OR DESCRIPTION	MATERIAL SPECIFICATION
PARTS LIST					
UNLESS OTHERWISE SPECIFIED DIMENSIONS ARE IN INCHES TOLERANCES ARE: FRACTIONS    DECIMALS    ANGLES ± 1/32        .XX ± 0.005    ± 1° .XXX ± 0.001				CONTRACT NO.	
MATERIAL				APPROVALS	DATE
FINISH				CHECKED	
NEXT ASSY				ISSUED	J FIELDS 09MAR06
USED ON				SIZE	B
APPLICATION				CAGE CODE	ØNM76
DO NOT SCALE DRAWING				DWG. NO.	SED20060309
				SCALE	NTS
				SHEET	1 OF 1


**Austin Instruments, Inc.**  
 Austin, Republic of Texas  
**3 DIGIT BCD COUNTER AND DISPLAY**
