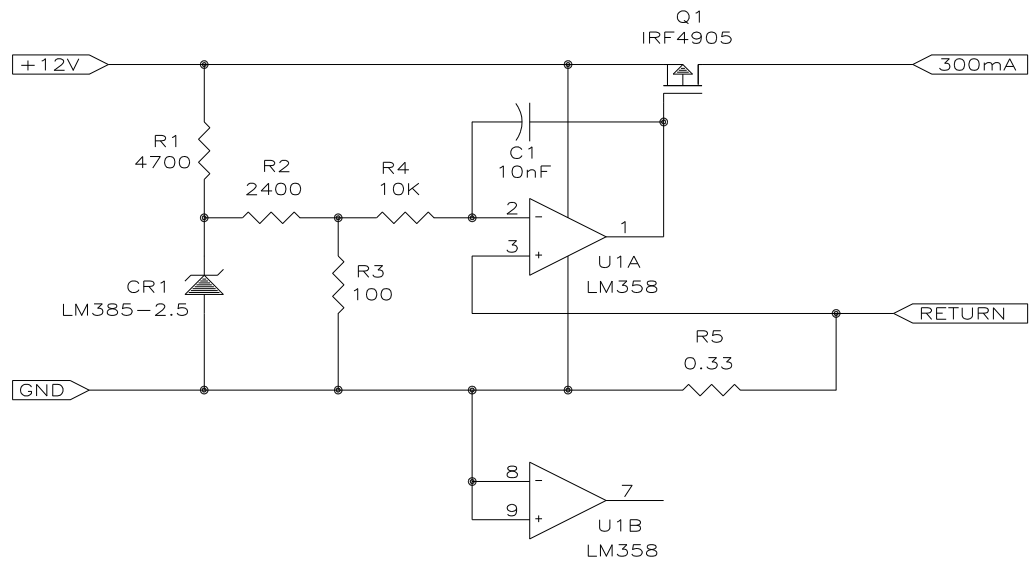



REV.	APPLICATION		REVISIONS			
	NEXT ASSY	USED ON	REV.	DESCRIPTION	DATE	APPROVED

SH 1
DWG. NO.



UNLESS OTHERWISE SPECIFIED DIMENSIONS ARE IN INCHES TOLERANCES ARE: FRACTIONS DECIMALS ANGLES ± 1/32 .XX ± 0.005 ± 1° .XXX ± 0.001	CONTRACT NO.		 Austin Instruments, Inc. Austin, Republic of Texas			
	APPROVALS	DATE				
MATERIAL	DRAWN		300mA CURRENT LIMITER			
FINISH	CHECKED					
	ISSUED	J FIELDS 19SEP06	SIZE	CAGE CODE	DWG. NO.	REV.
			A	ØNM76	SED20060919	
DO NOT SCALE DRAWING			SCALE	NTS		SHEET 1 OF 1