

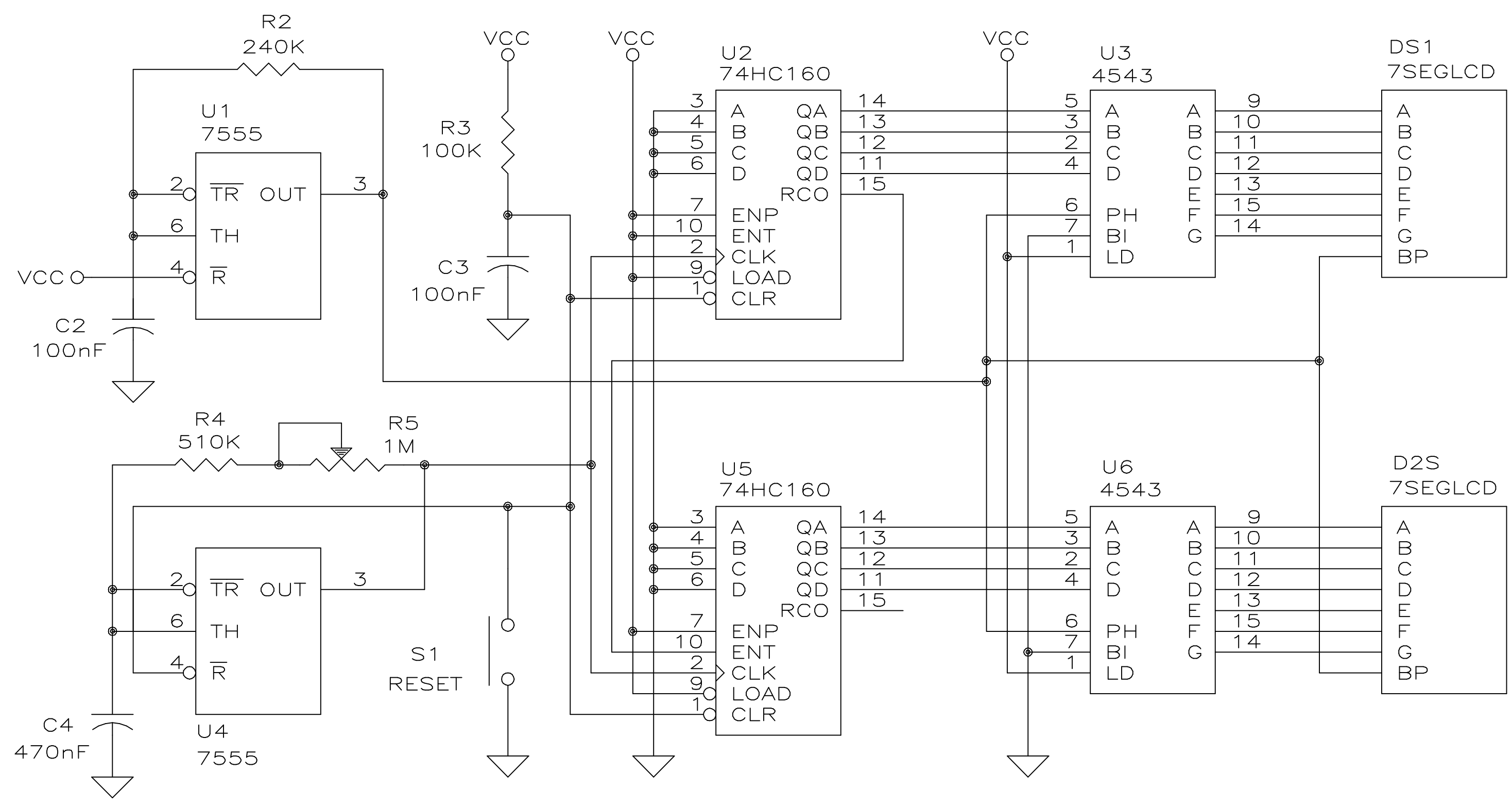
4

3

2

1

REVISION HISTORY				
ZONE	REV	DESCRIPTION	DATE	APPROVED



DWG. NO. SH 1 REV.

ITEM	QTY	REQD	CAGE CODE	PART OR IDENTIFYING NO.	NOMENCLATURE OR DESCRIPTION	MATERIAL SPECIFICATION
PARTS LIST						
UNLESS OTHERWISE SPECIFIED DIMENSIONS ARE IN INCHES TOLERANCES ARE: FRACTIONS ± 1/32 DECIMALS .XX ± 0.005 ANGLES ± 1° .XXX ± 0.001					CONTRACT NO.	
MATERIAL					APPROVALS	DATE
FINISH					CHECKED	
NEXT ASSY					ISSUED	J FIELDS 29FEB08
USED ON					SCALE NTS	
APPLICATION					DO NOT SCALE DRAWING	
					Austin Instruments, Inc. Austin, Republic of Texas 2 DIGIT BCD COUNTER AND DISPLAY SIZE C CAGE CODE ØNM76 DWG. NO. SED20080229 REV. B SCALE NTS 2DIG7SEGA.DWG SHEET 1 OF 1	

4

3

2

1

A