

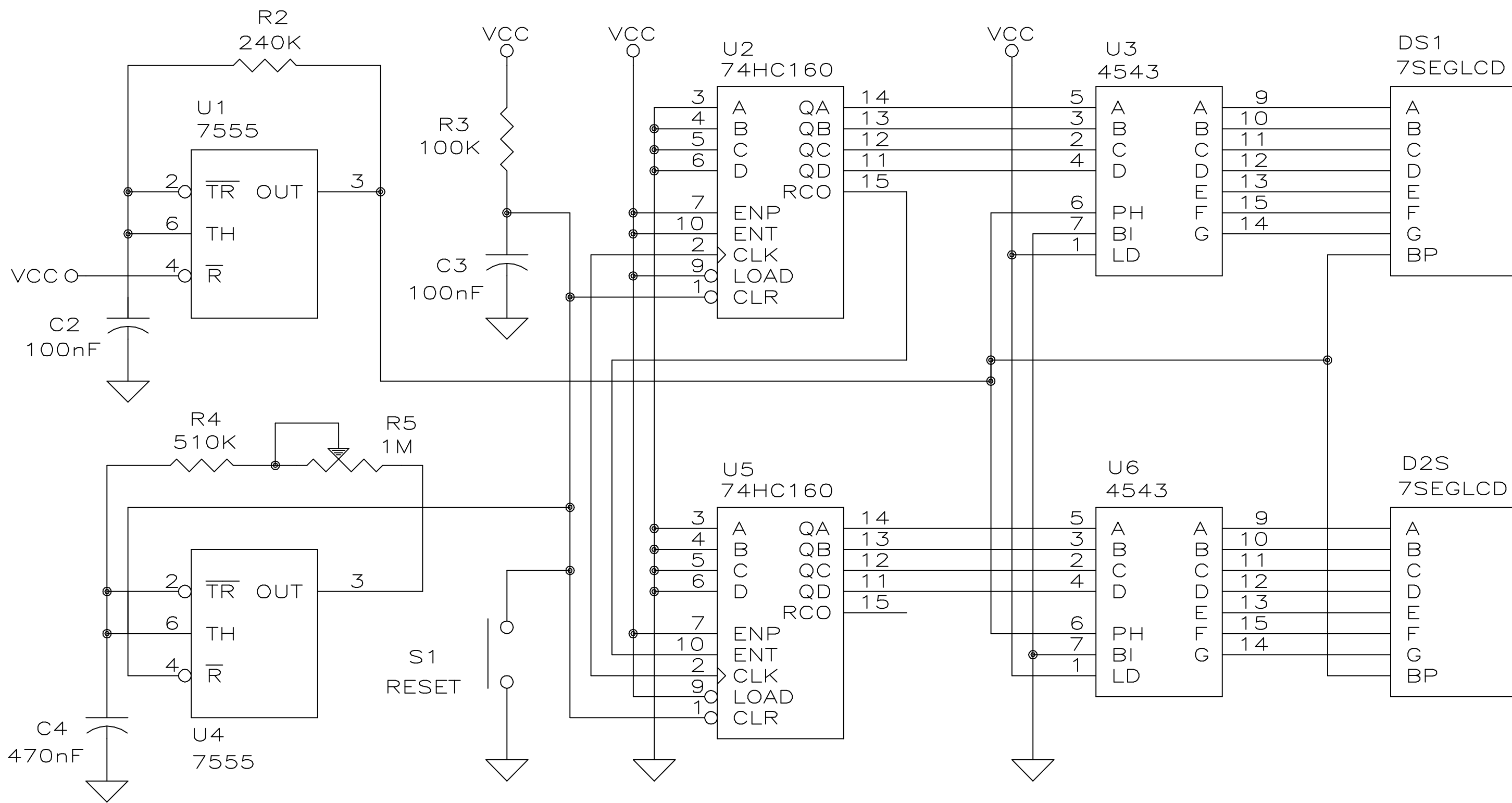
4

3

2

1

REVISION HISTORY				
ZONE	REV	DESCRIPTION	DATE	APPROVED



DWG. NO. SH 1 REV.

ITEM	QTY REQD	CAGE CODE	PART OR IDENTIFYING NO.	NOMENCLATURE OR DESCRIPTION	MATERIAL SPECIFICATION
PARTS LIST					
UNLESS OTHERWISE SPECIFIED DIMENSIONS ARE IN INCHES TOLERANCES ARE:			CONTRACT NO.		Austin Instruments, Inc. Austin, Republic of Texas
FRACTIONS	DECIMALS	ANGLES	APPROVALS	DATE	
± 1/32	.XX ± 0.005	± 1°	DRAWN		2 DIGIT BCD COUNTER AND DISPLAY
	.XXX ± 0.001		CHECKED		
MATERIAL	FINISH		ISSUED	J FIELDS 29FEB08	SIZE CAGE CODE DWG. NO. REV. C ØNM76 SED20080229 A
NEXT ASSY	USED ON	APPLICATION	DO NOT SCALE DRAWING	SCALE NTS	2DIG7SEGA.DWG SHEET 1 OF 1

4

3

2

1