

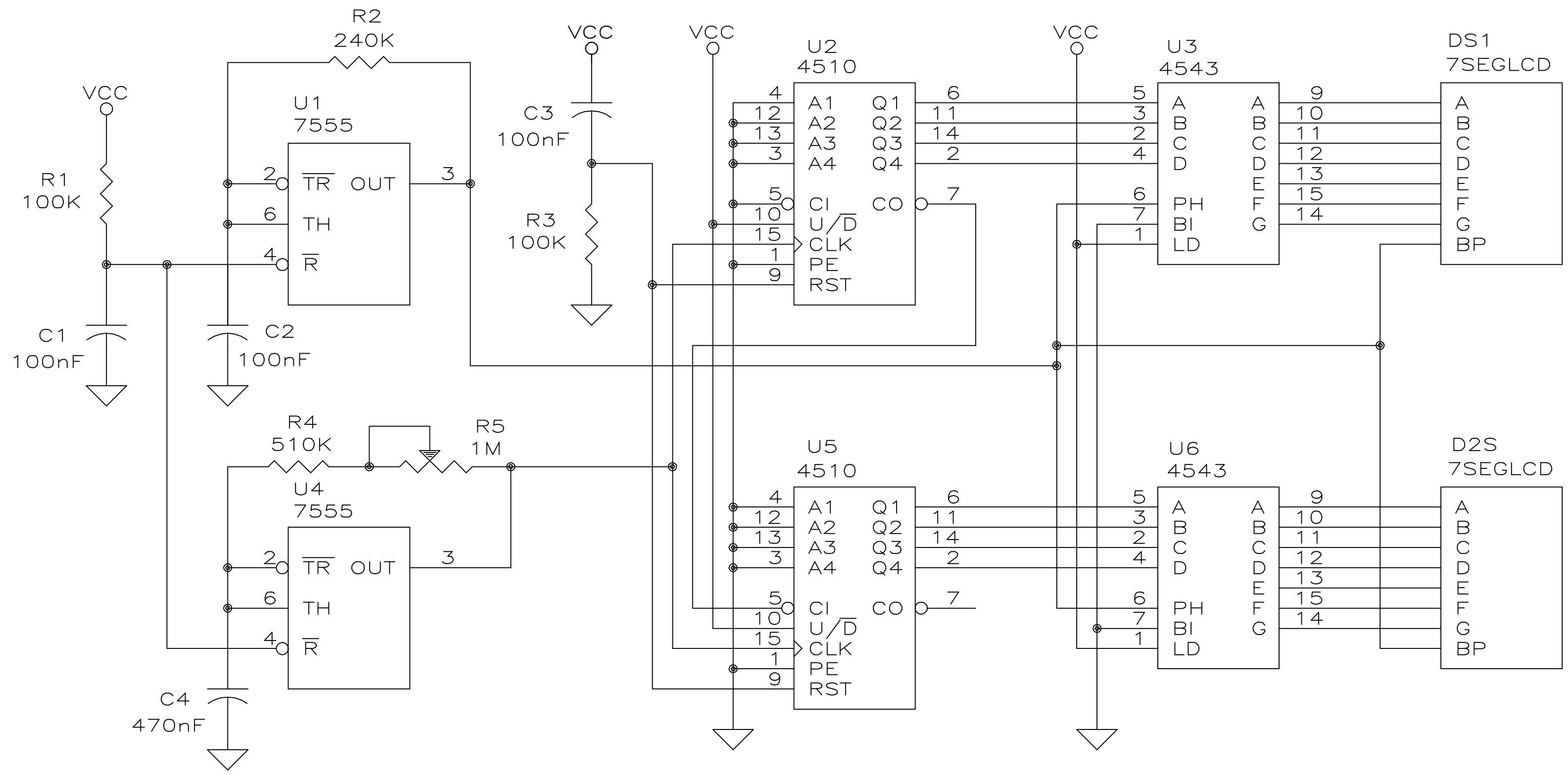
4

3

2

1

REVISION HISTORY				
ZONE	REV	DESCRIPTION	DATE	APPROVED



DWG. NO. SH 1 REV.

ITEM	QTY REQD	CAGE CODE	PART OR IDENTIFYING NO.	NOMENCLATURE OR DESCRIPTION	MATERIAL SPECIFICATION
PARTS LIST					
UNLESS OTHERWISE SPECIFIED DIMENSIONS ARE IN INCHES TOLERANCES ARE: FRACTIONS ± 1/32    DECIMALS .XX ± 0.005    ANGLES ± 1° .XXX ± 0.001				CONTRACT NO.	
MATERIAL				APPROVALS	DATE
FINISH				CHECKED	
NEXT ASSY		USED ON		ISSUED	J FIELDS 29FEB08
APPLICATION				SCALE	NTS
DO NOT SCALE DRAWING				SIZE	C
				CAGE CODE	ØNM76
				DWG. NO.	SED20080229
				REV.	
				SHEET 1 OF 1	

**Austin Instruments, Inc.**  
Austin, Republic of Texas  
**2 DIGIT BCD COUNTER AND LCD DISPLAY**

4

3

2

1

A