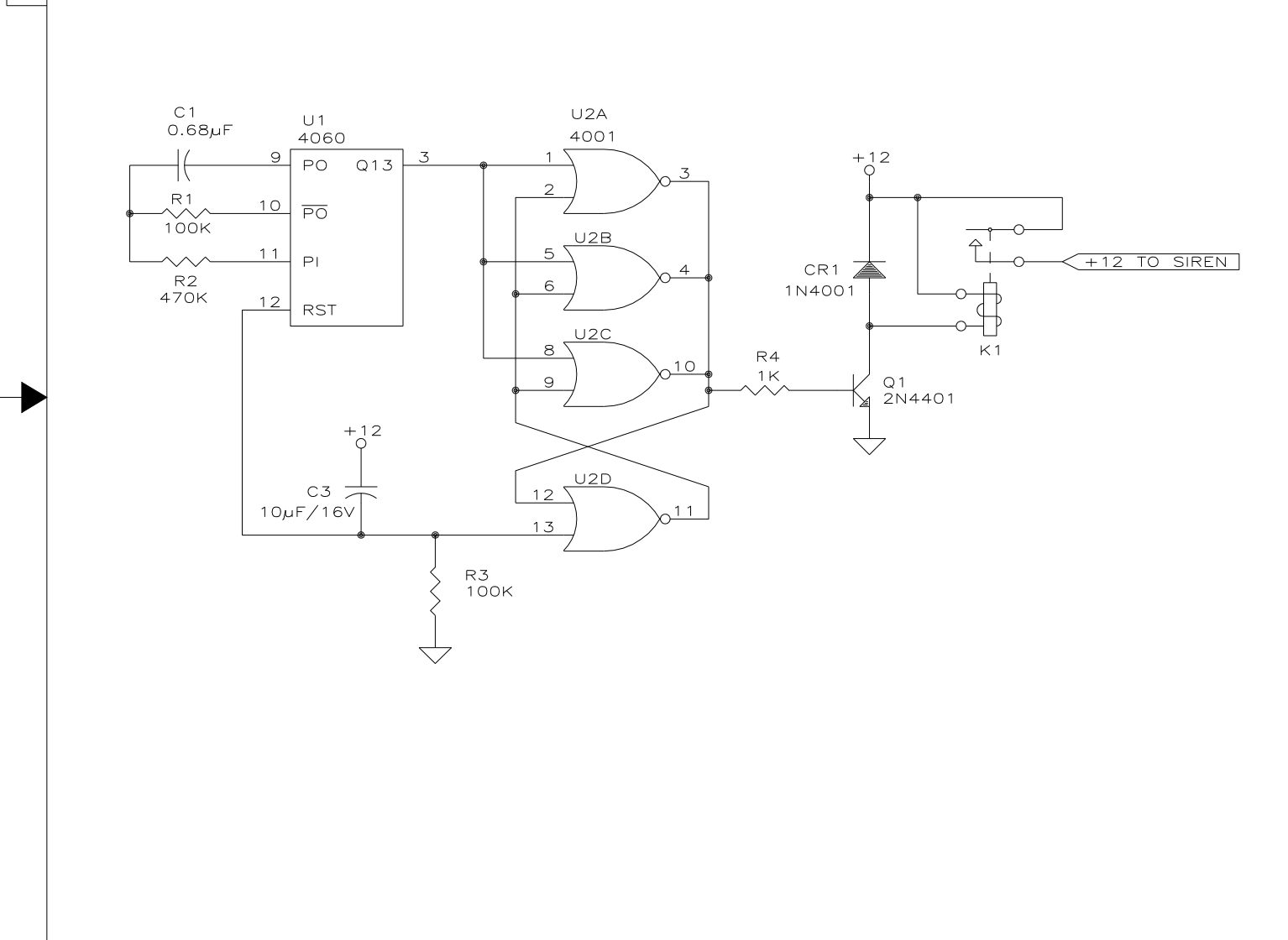



REV.	APPLICATION		REVISIONS			
	NEXT ASSY	USED ON	REV.	DESCRIPTION	DATE	APPROVED

SH 1						
------	--	--	--	--	--	--



UNLESS OTHERWISE SPECIFIED DIMENSIONS ARE IN INCHES TOLERANCES ARE: FRACTIONS DECIMALS ANGLES ± 1/32 .XX ± 0.005 ± 1° .XXX ± 0.001	CONTRACT NO.		 Austin Instruments, Inc. Austin, Republic of Texas			
	APPROVALS	DATE				
MATERIAL	DRAWN		20 MINUTE OFF DELAY TIMER			
FINISH	CHECKED					
	ISSUED	J FIELDS	SIZE	CAGE CODE	DWG. NO.	REV.
			A	ØNM76	SED20060630	
DO NOT SCALE DRAWING			SCALE	NTS	20MINCUT.DWG	SHEET 1 OF 1