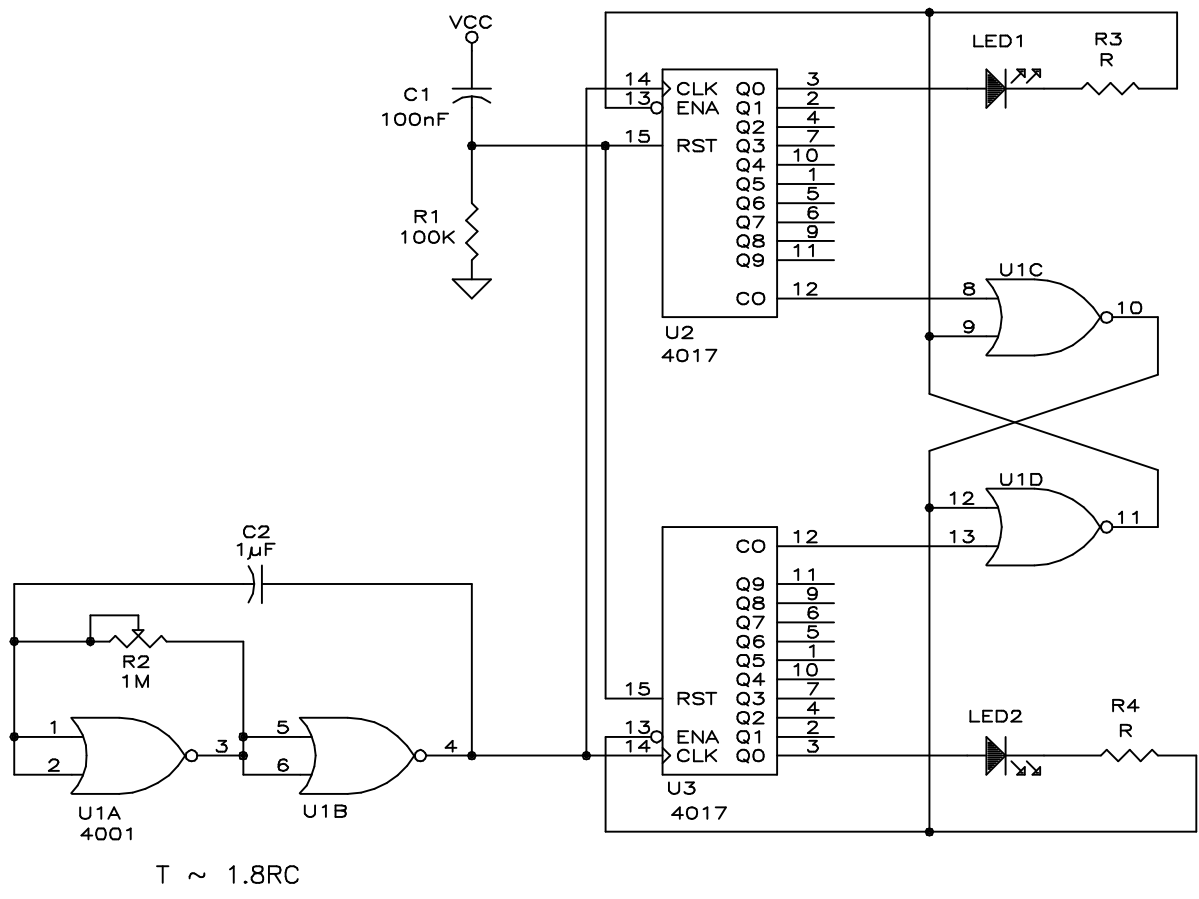


SH 1	APPLICATION		REVISIONS			
	NEXT ASSY	USED ON	REV.	DESCRIPTION	DATE	APPROVED

DWG. NO.	
----------	--



UNLESS OTHERWISE SPECIFIED  
DIMENSIONS ARE IN INCHES  
TOLERANCES ARE:  
FRACTIONS DECIMALS ANGLES  
± 1/32 .XX ± 0.005 ± 1°  
.XXX ± 0.001

CONTRACT NO.

 Austin Instruments, Inc.  
Austin, Republic of Texas

MATERIAL

APPROVALS	DATE
DRAWN	
CHECKED	

20 LED CHASER

FINISH

ISSUED	J FIELDS	281008
--------	----------	--------

SIZE	CAGE CODE	DWG. NO.	REV.
A	ØNM76	SED20081028	

DO NOT SCALE DRAWING	SCALE	NTS	ALARM.DWG	SHEET	1 OF 1
----------------------	-------	-----	-----------	-------	--------