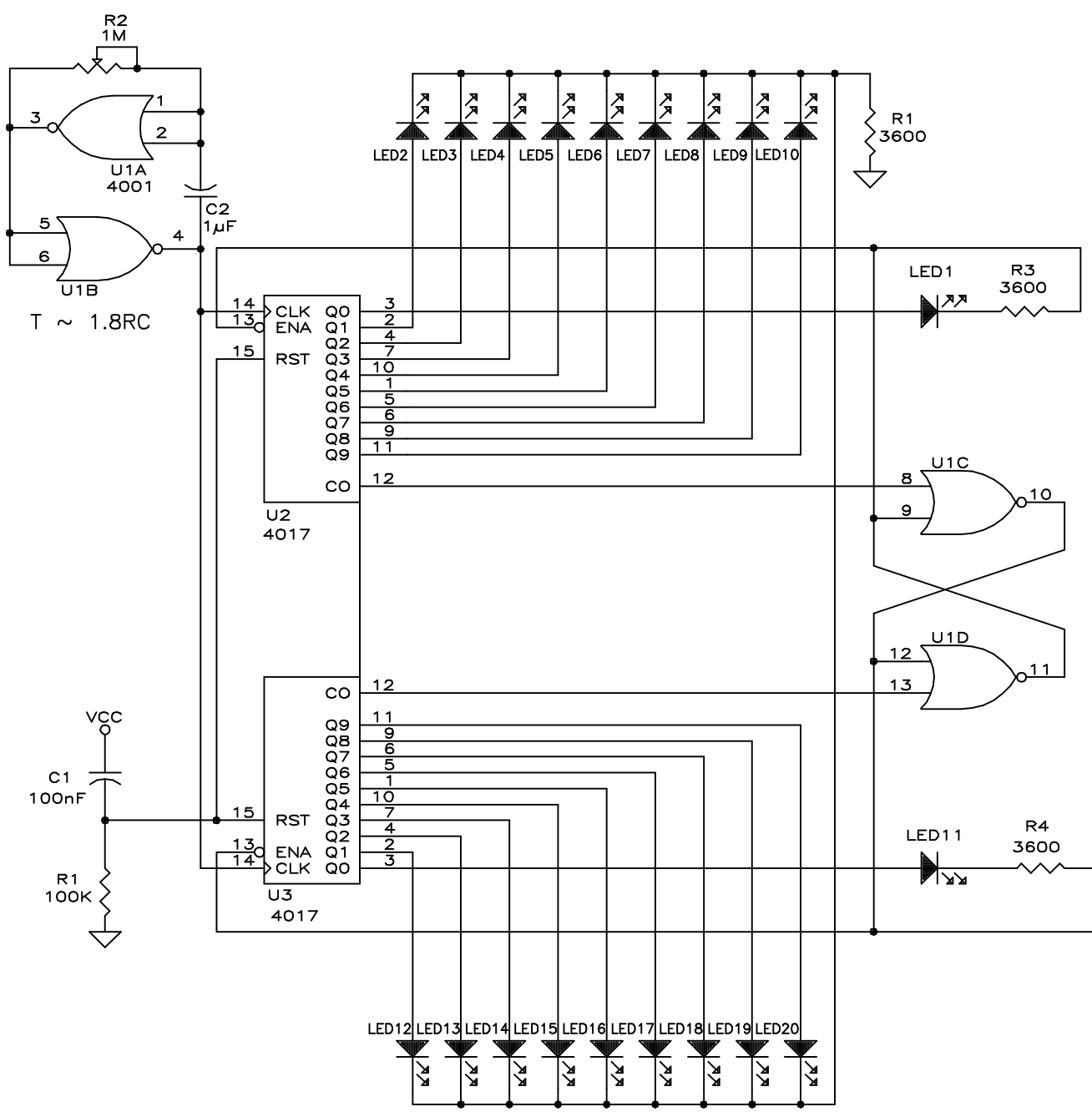



REV. SH 1	APPLICATION			REVISIONS		
	NEXT ASSY	USED ON	REV.	DESCRIPTION	DATE	APPROVED

DWG. NO.



UNLESS OTHERWISE SPECIFIED DIMENSIONS ARE IN INCHES TOLERANCES ARE: FRACTIONS DECIMALS ANGLES ± 1/32 .XX ± 0.005 ± 1° .XXX ± 0.001	CONTRACT NO.		 Austin Instruments, Inc. Austin, Republic of Texas			
	APPROVALS	DATE				
MATERIAL	DRAWN		20 LED CHASER			
FINISH	CHECKED					
DO NOT SCALE DRAWING	ISSUED J FIELDS	281008	SIZE A	CAGE CODE ØNM76	DWG. NO. SED20081028	REV. A
			SCALE NTS		SHEET 1 OF 1	