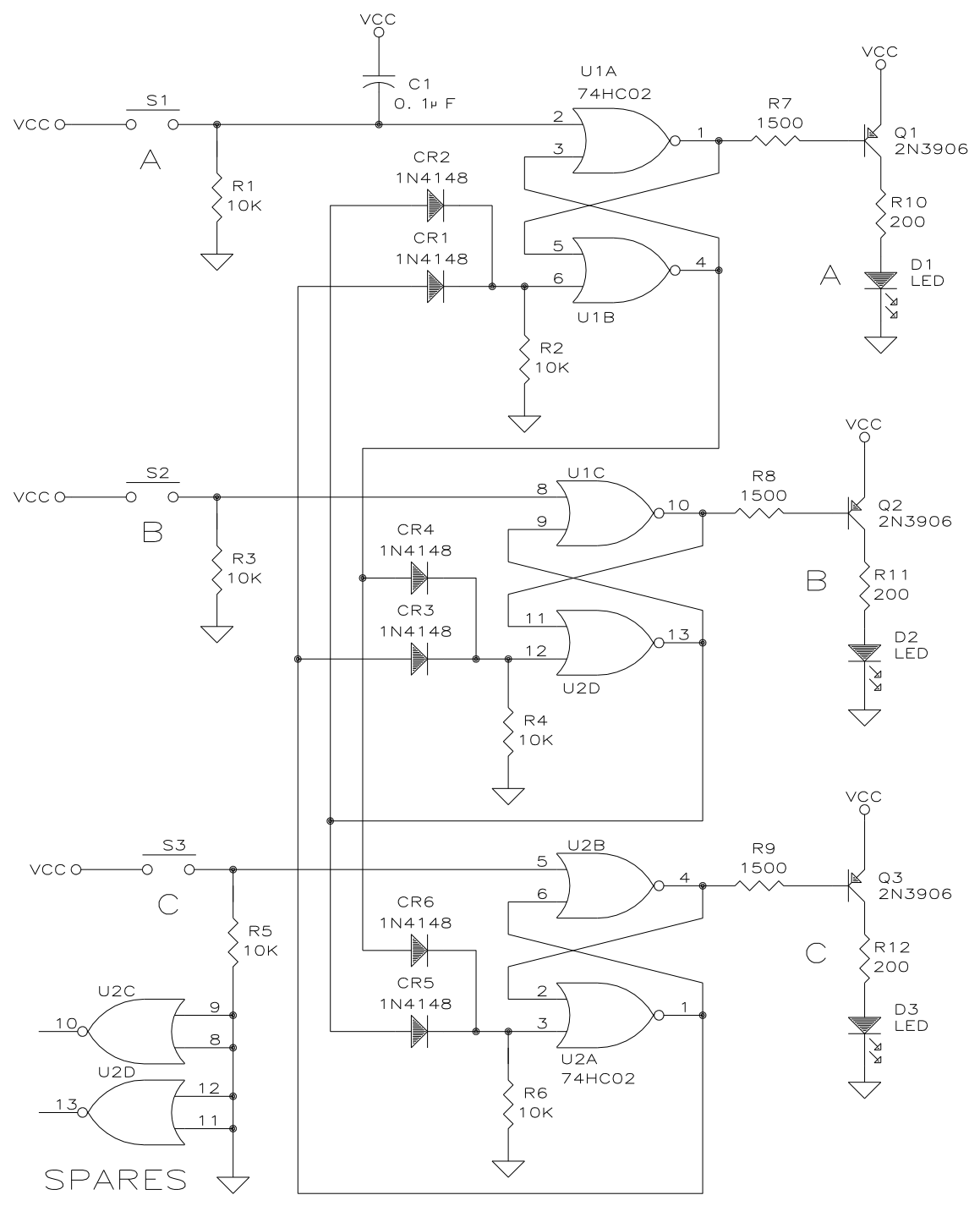


REV.	APPLICATION		REVISIONS			
	NEXT ASSY	USED ON	REV.	DESCRIPTION	DATE	APPROVED
SH 1			A	ADDED R10, R11, AND R12	16 NOV 2006	

DWG. NO.



UNLESS OTHERWISE SPECIFIED DIMENSIONS ARE IN INCHES TOLERANCES ARE: FRACTIONS DECIMALS ANGLES ± 1/32 .XX ± 0.005 ± 1° .XXX ± 0.001	CONTRACT NO.		Austin Instruments, Inc. Austin, Republic of Texas			
	APPROVALS	DATE	MUTUALLY EXCLUSIVE ONE-OF-THREE SWITCH			
MATERIAL	DRAWN		SIZE	CAGE CODE	DWG. NO.	REV.
FINISH	CHECKED		A	ØNM76	SED20061116	A
DO NOT SCALE DRAWING	ISSUED	J FIELDS 16NOV06	SCALE	NTS	10F3.DWG	SHEET 1 OF 1