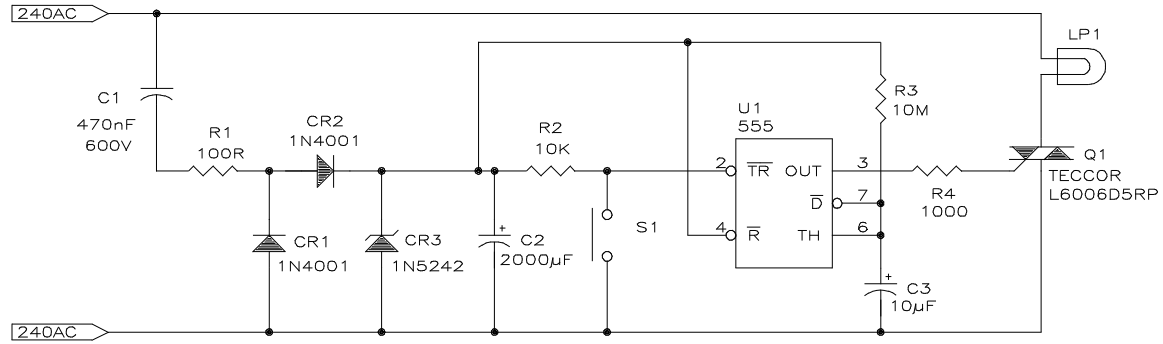


DWG. NO. SH 1 REV.

REVISION HISTORY			
REV	DESCRIPTION	DATE	APPROVED



ITEM	QTY	CAGE	PART OR	NOMENCLATURE	MATERIAL
RECD		CODE	IDENTIFYING NO.	OR DESCRIPTION	SPECIFICATION
PARTS LIST					
UNLESS OTHERWISE SPECIFIED DIMENSIONS ARE IN INCHES TOLERANCES ARE: FRACTIONS    DECIMALS    ANGLES ± 1/32        .XX ± 0.005        ± 1° .XXX ± 0.001			CONTRACT NO.		
MATERIAL			APPROVALS		DATE
FINISH			DRAWN		
NEXT ASSY			CHECKED		
USED ON			ISSUED		J FIELDS
APPLICATION			DO NOT SCALE DRAWING		
SIZE		CAGE CODE	DWG. NO.		REV.
B		ØNM76	SED20080609		
SCALE		NTS	SHEET		1 OF 1

**Austin Instruments, Inc.**  
Austin, Republic of Texas

LAMP TIMER