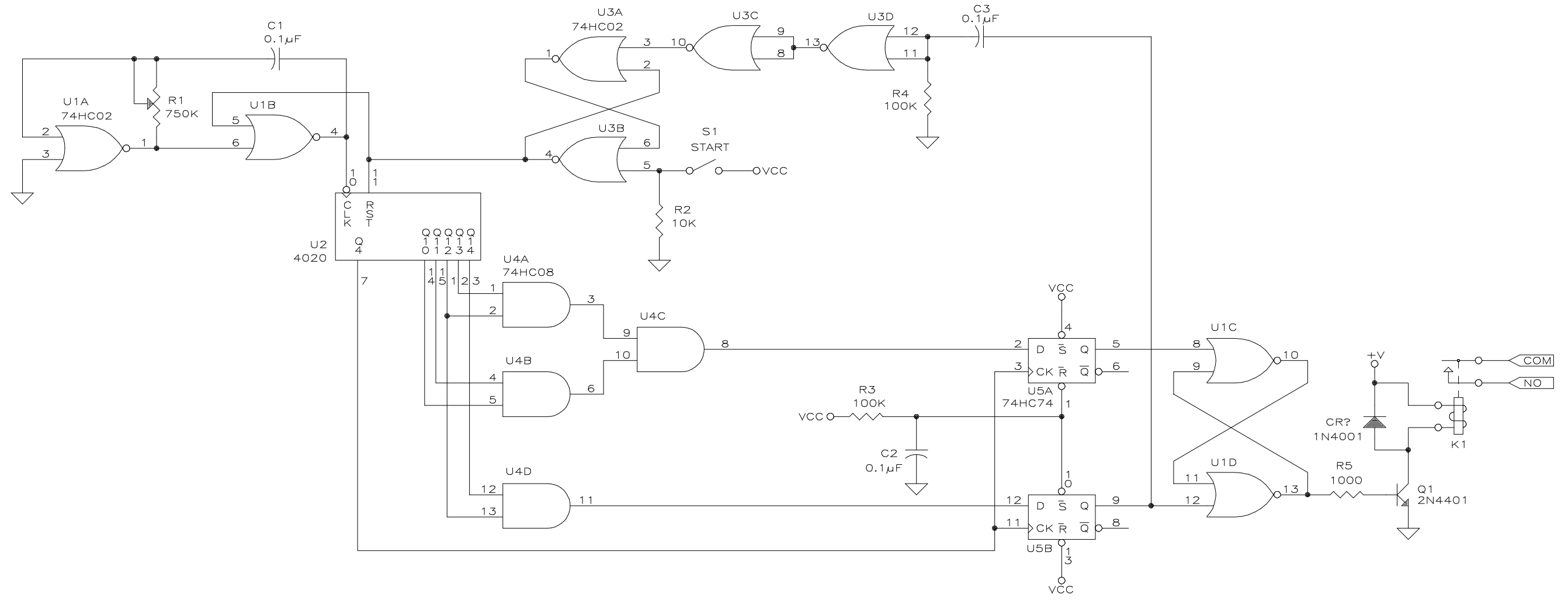


DWG. NO. SH 1 REV.

REVISION HISTORY			
REV	DESCRIPTION	DATE	APPROVED



ITEM	QTY REQD	CAGE CODE	PART OR IDENTIFYING NO.	NOMENCLATURE OR DESCRIPTION	MATERIAL SPECIFICATION
PARTS LIST					
UNLESS OTHERWISE SPECIFIED DIMENSIONS ARE IN INCHES TOLERANCES ARE:				Austin Instruments, Inc. Austin, Republic of Texas	
FRACTIONS ± 1/32    DECIMALS .XX ± 0.005    ANGLES ± 1° .XXX ± 0.001					
MATERIAL				APPROVALS	DATE
FINISH				CHECKED	
NEXT ASSY				ISSUED	J FIELDS 05OCT08
APPLICATION				SCALE	NTS
DO NOT SCALE DRAWING				SIZE	CAGE CODE
				B	ØNM76
				DWG. NO.	REV.
				SED20081005	
				SCALE	SHEET 1 OF 1