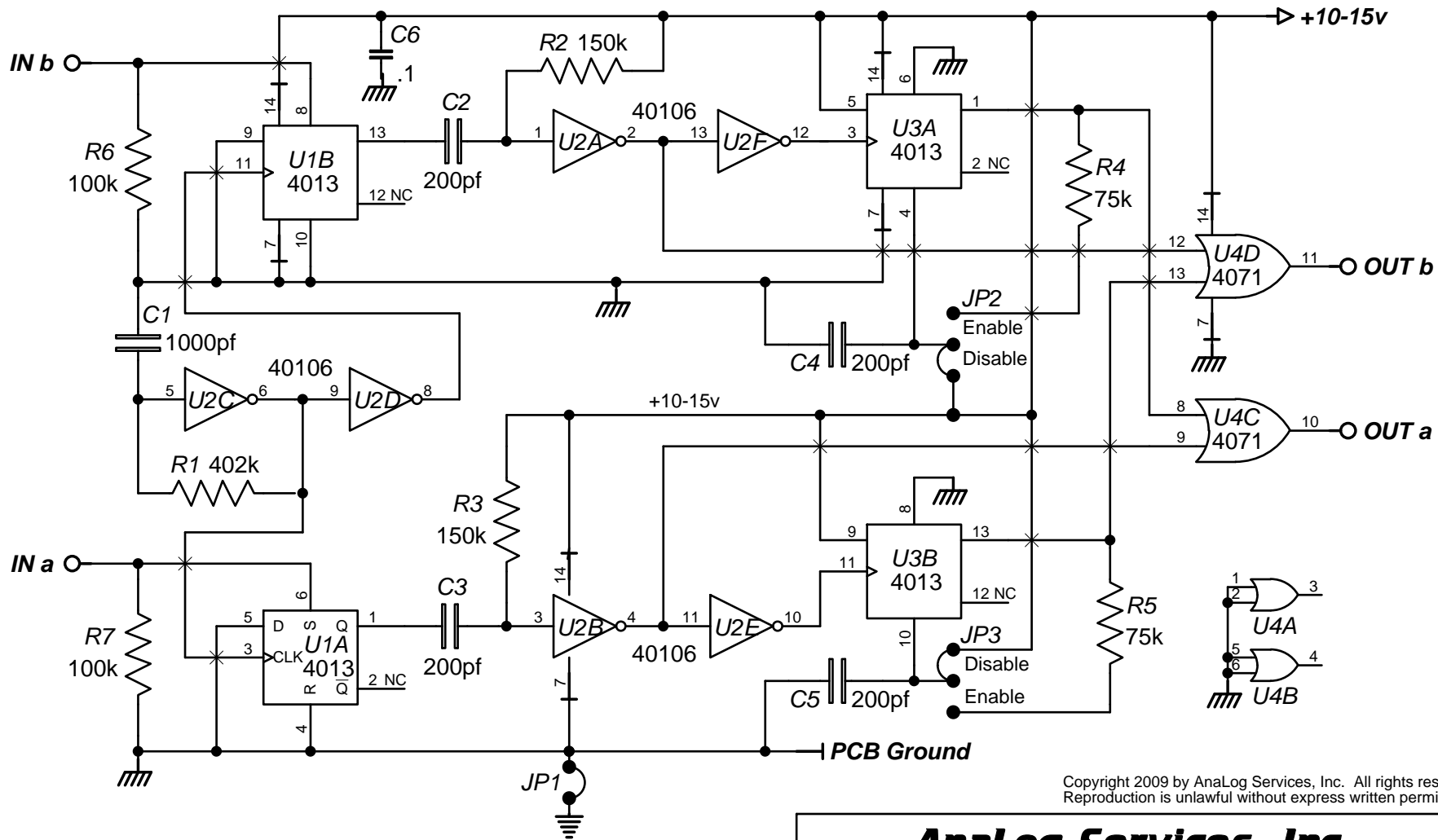


# 106 RADIATION TOOL ANTI-COINCIDENCE CIRCUIT

Late Model GO X-Y Caliper Style



Copyright 2009 by AnaLog Services, Inc. All rights reserved.  
 Reproduction is unlawful without express written permission.

## AnaLog Services, Inc.

1169 Haynesville Road - Reynolds Station, KY 42368 (270) 276-5671 Fax: (270) 276-5588

Anti-Coincidence Circuit

106AC6.sch

Sheet Size: A

Creation Date: 09/12/2009

Drawn By: Syd H. Levine

Revision: 1.0

Modify Date: 09/12/2009

Sheet 1 of 1