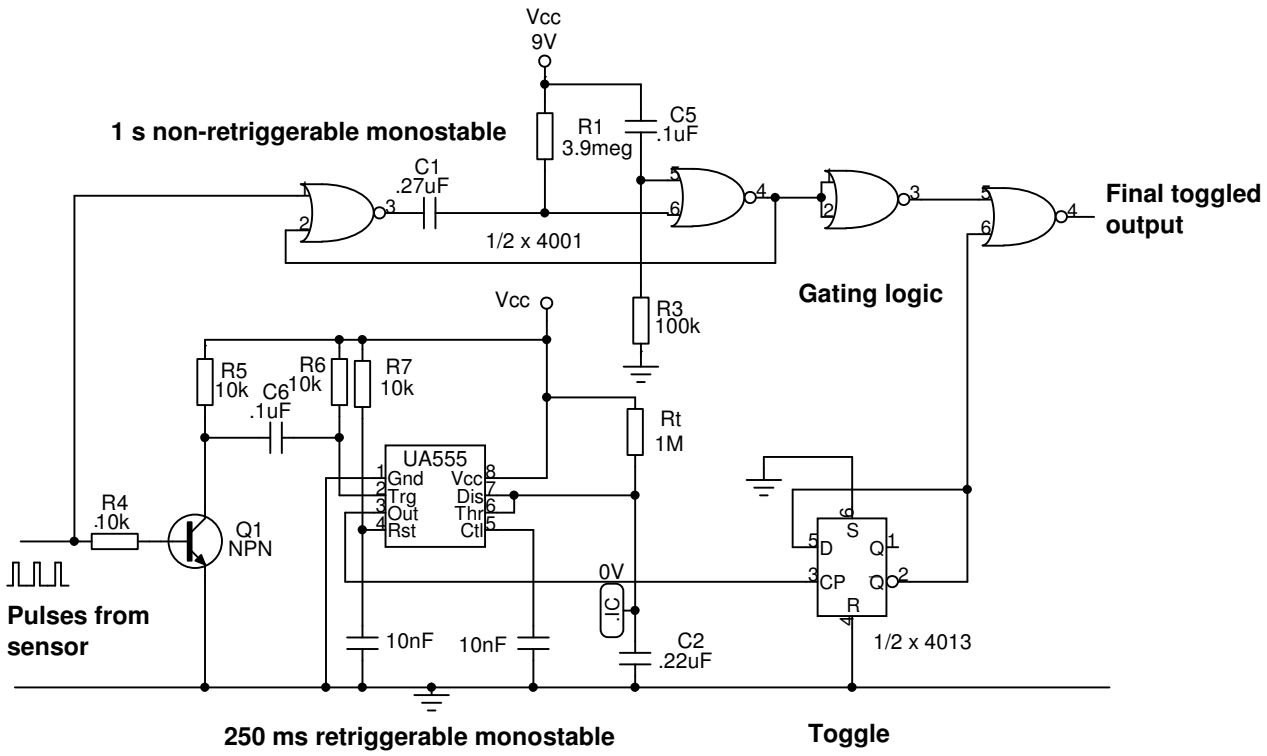


# Knock-Knock

## Alternative two-chip implementation of JF design



Note: Doesn't yet meet OP's spec.  
 Terry Pinnell, 3 October 2004