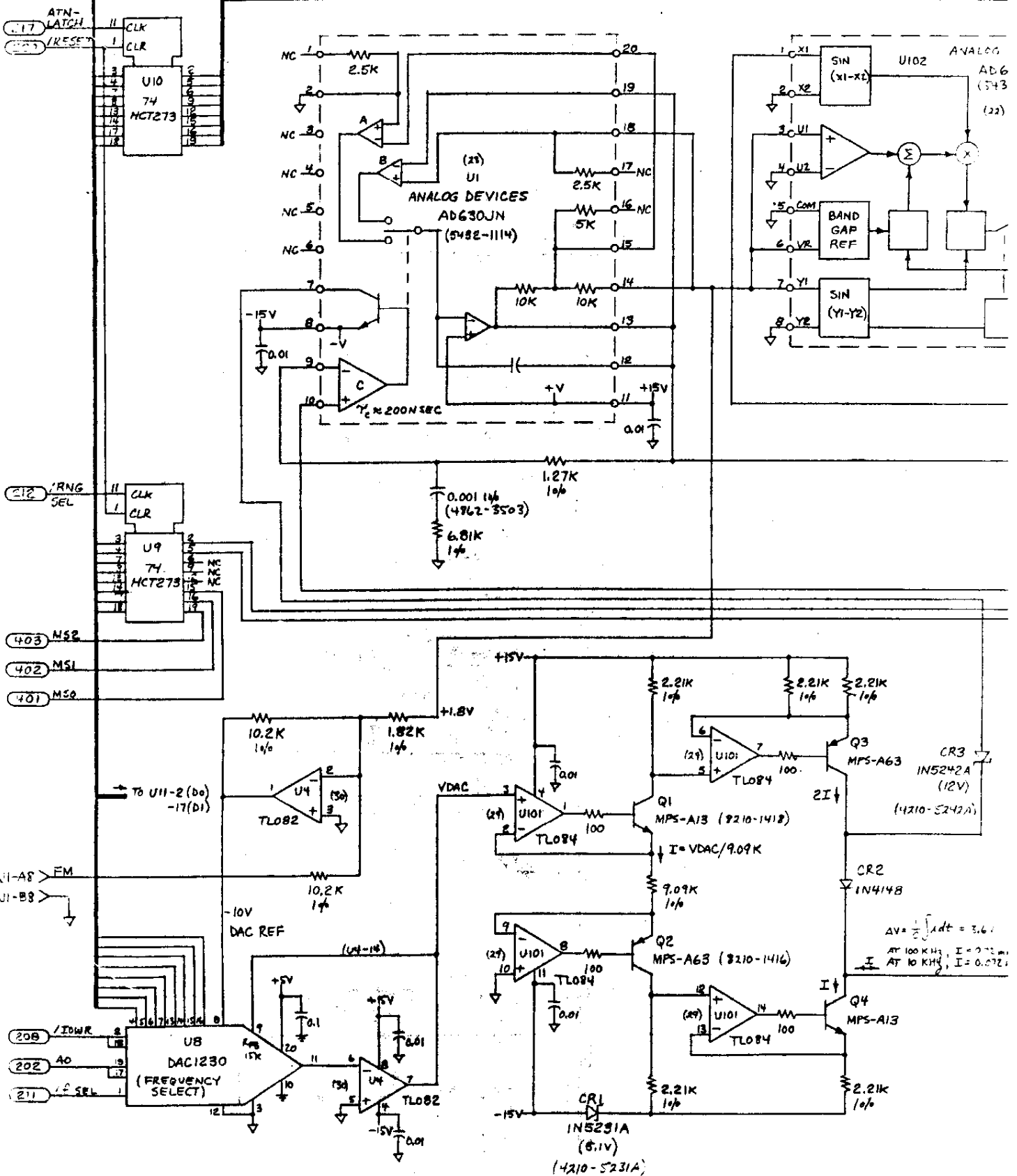


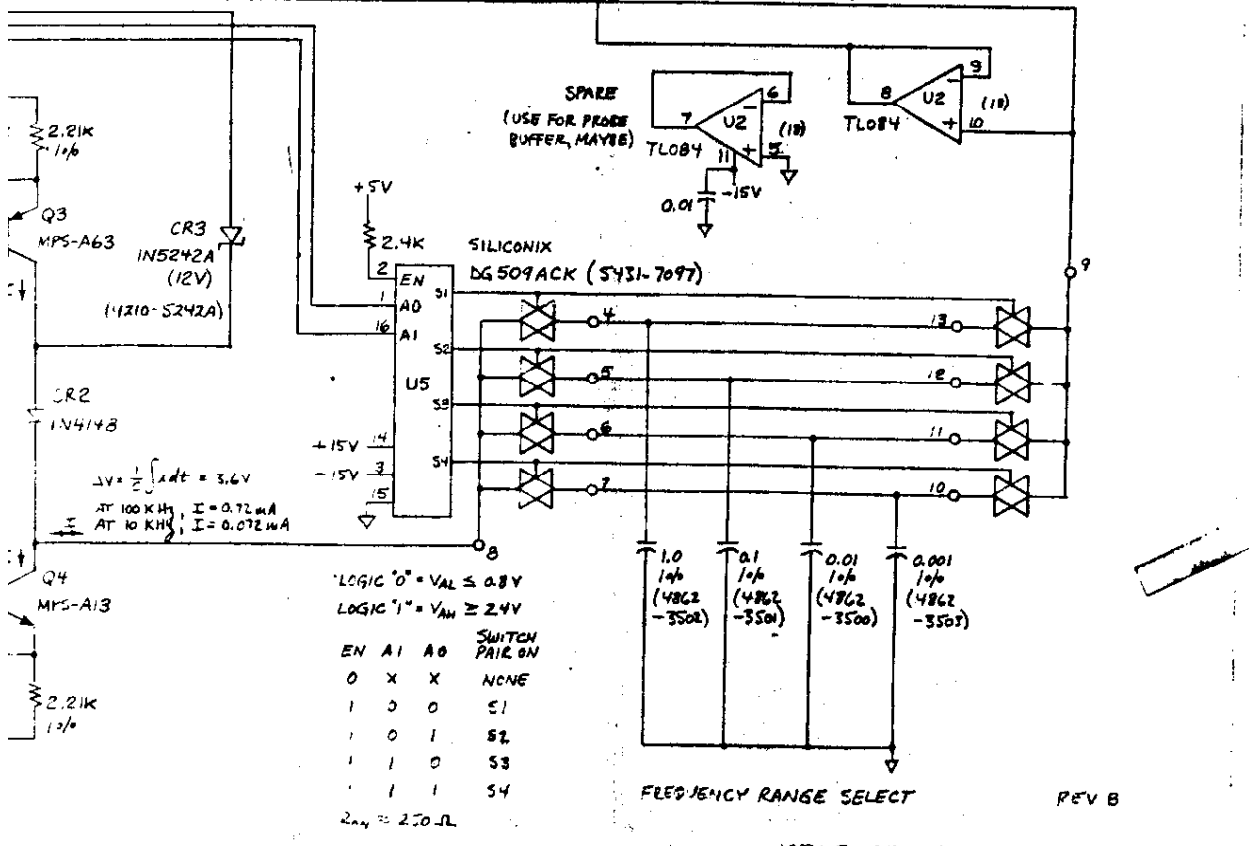
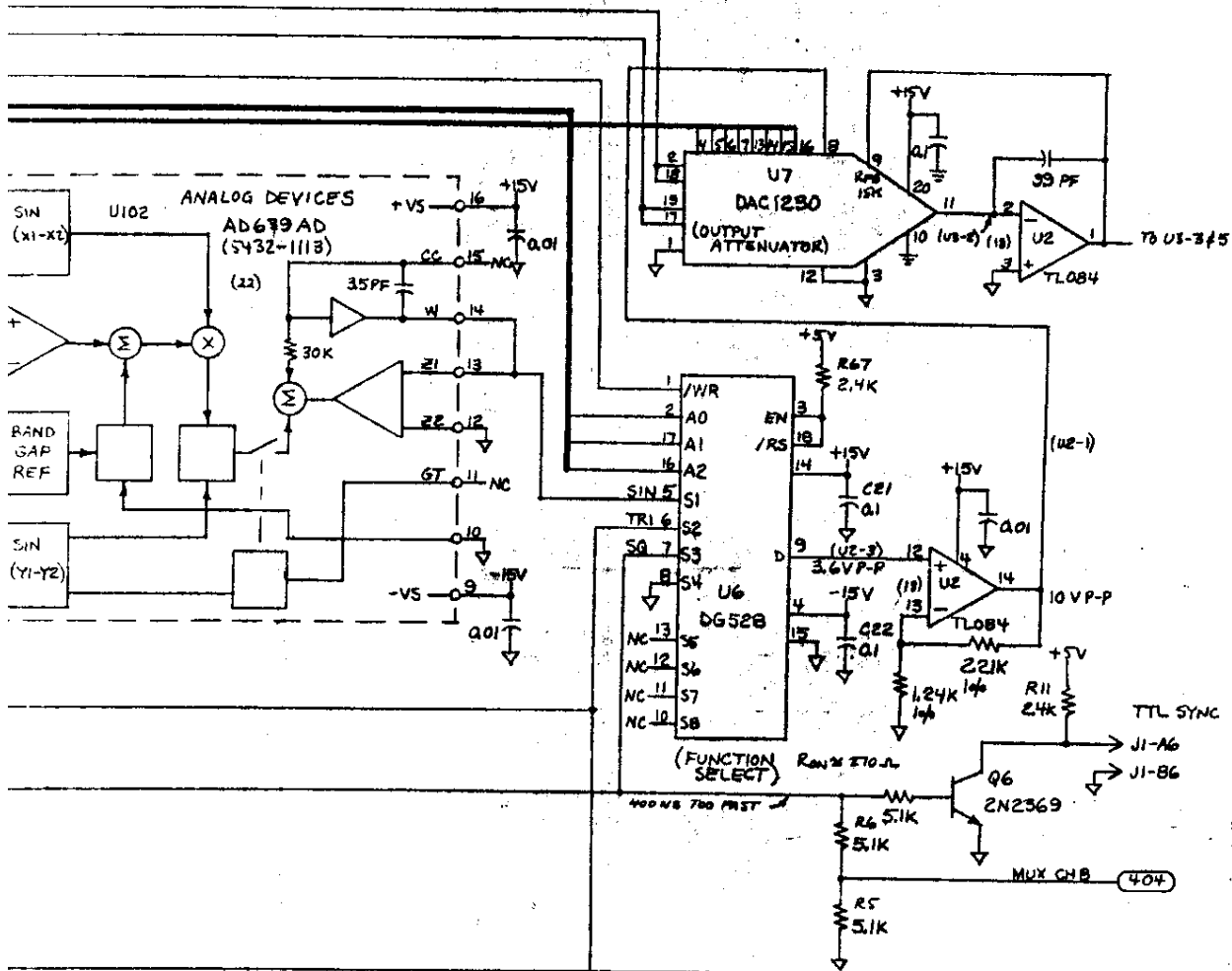
218 /G10WR

213 /GAO

216 /FG WAVE

01 00-D7





SEP 4 1985

FREQUENCY RANGE SELECT REV B

