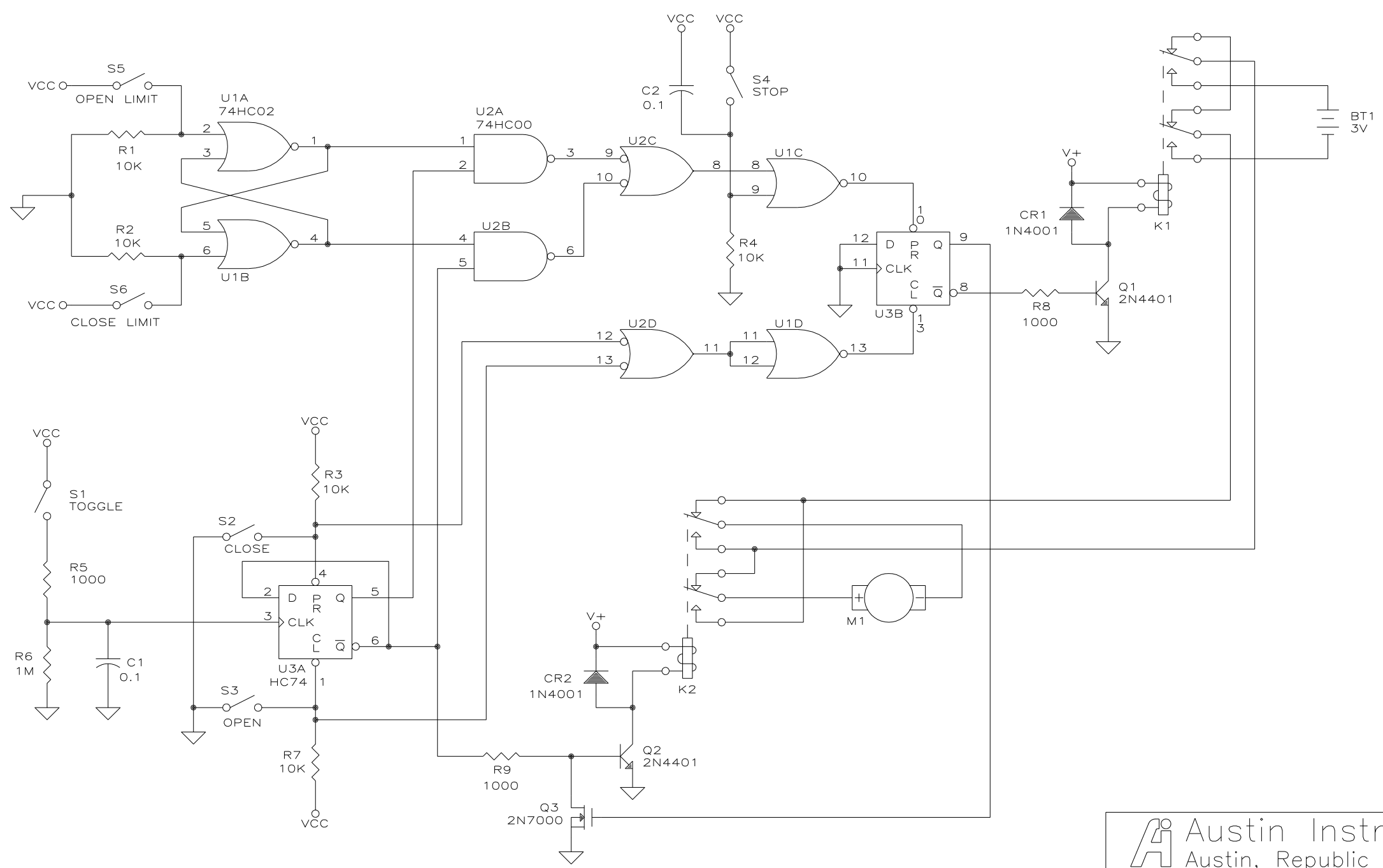


REVISION HISTORY			
REV	DESCRIPTION	DATE	APPROVED



 Austin Instruments, Inc.  
Austin, Republic of Texas

MOTORIZED CURTAIN CONTROLLER

SIZE	CAGE CODE	DWG. NO.	REV.
B	ØNM76	SED20041211	
SCALE	NTS	SHEET	1 OF 1