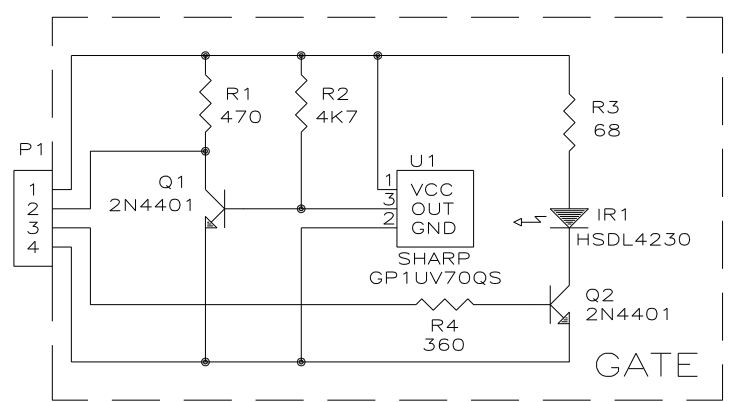
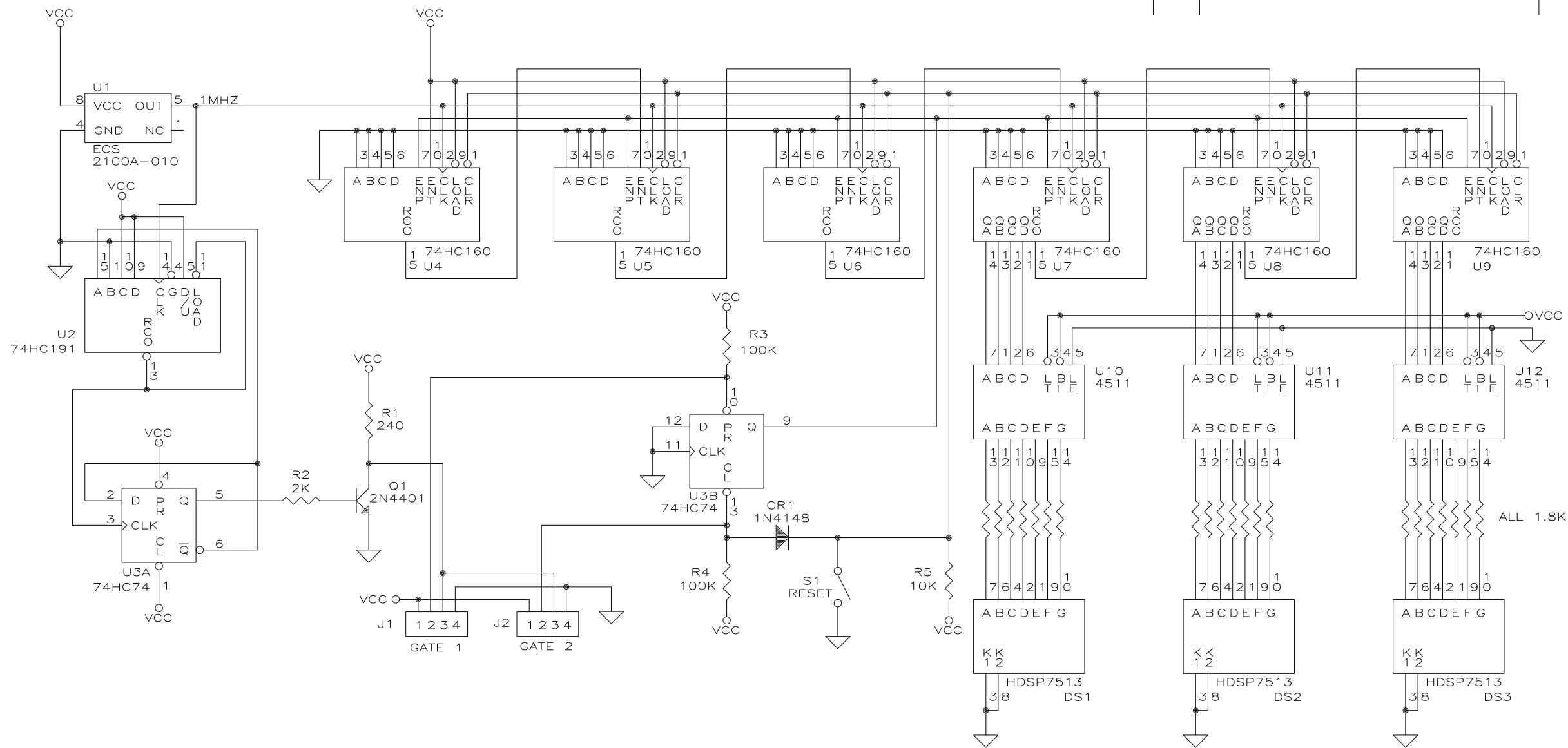


REVISION HISTORY			
REV	DESCRIPTION	DATE	APPROVED
A	ADDED R5		



ITEM	QTY REQD	CAGE CODE	PART OR IDENTIFYING NO.	NOMENCLATURE OR DESCRIPTION	MATERIAL SPECIFICATION
PARTS LIST					
UNLESS OTHERWISE SPECIFIED DIMENSIONS ARE IN INCHES TOLERANCES ARE:				Austin Instruments, Inc. Austin, Republic of Texas	
FRACTIONS ± 1/32 DECIMALS .XX ± 0.005 ANGLES ± 1° .XXX ± 0.001					
CONTRACT NO.				APPROVALS	
MATERIAL				DATE	
FINISH				CHECKED	
NEXT ASSY				ISSUED J FIELDS 07JUL05	
USED ON				SIZE B CAGE CODE ØNM76 DWG. NO. SED20050703 REV. A	
APPLICATION				SCALE NTS SHEET 1 OF 1	

DO NOT SCALE DRAWING