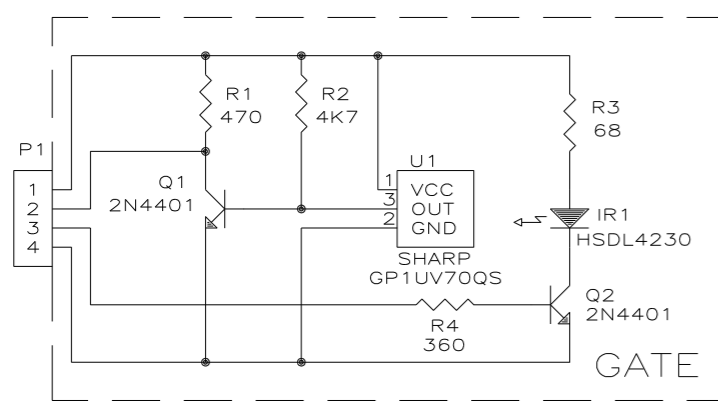
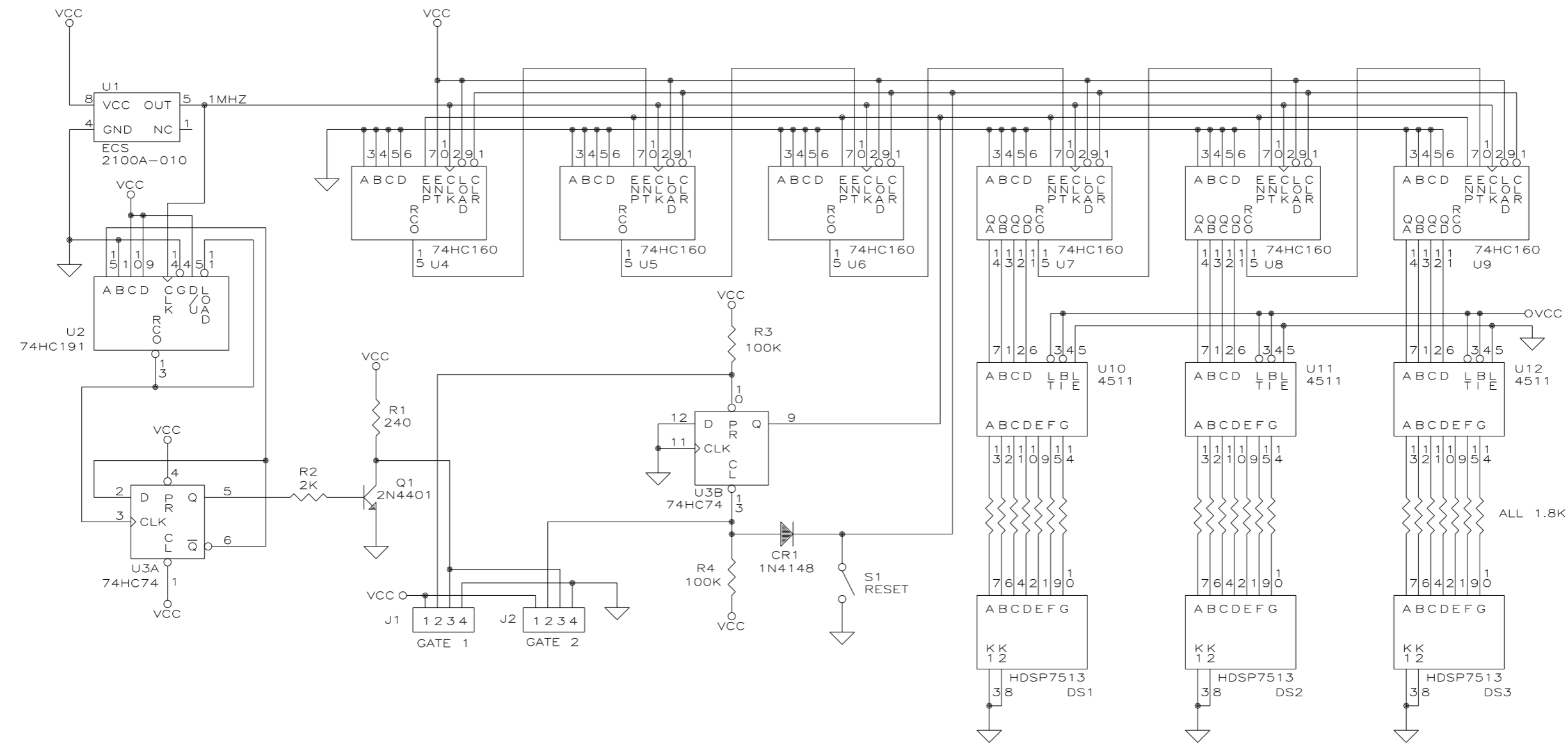


REVISION HISTORY			
REV	DESCRIPTION	DATE	APPROVED



ITEM	QTY REQD	CAGE CODE	PART OR IDENTIFYING NO.	NOMENCLATURE OR DESCRIPTION	MATERIAL SPECIFICATION
PARTS LIST					
UNLESS OTHERWISE SPECIFIED DIMENSIONS ARE IN INCHES TOLERANCES ARE: FRACTIONS DECIMALS ANGLES ± 1/32 .XX ± 0.005 ± 1° .XXX ± 0.001				CONTRACT NO.	
MATERIAL				APPROVALS DATE	
FINISH				DRAWN	
NEXT ASSY USED ON				CHECKED	
APPLICATION				ISSUED J FIELDS 07JUL05	
DO NOT SCALE DRAWING				SIZE CAGE CODE DWG. NO. REV. B ØNM76 SED20050703	
				SCALE NTS SHEET 1 OF 1	

Austin Instruments, Inc.
Austin, Republic of Texas

R/C CAR TIMER