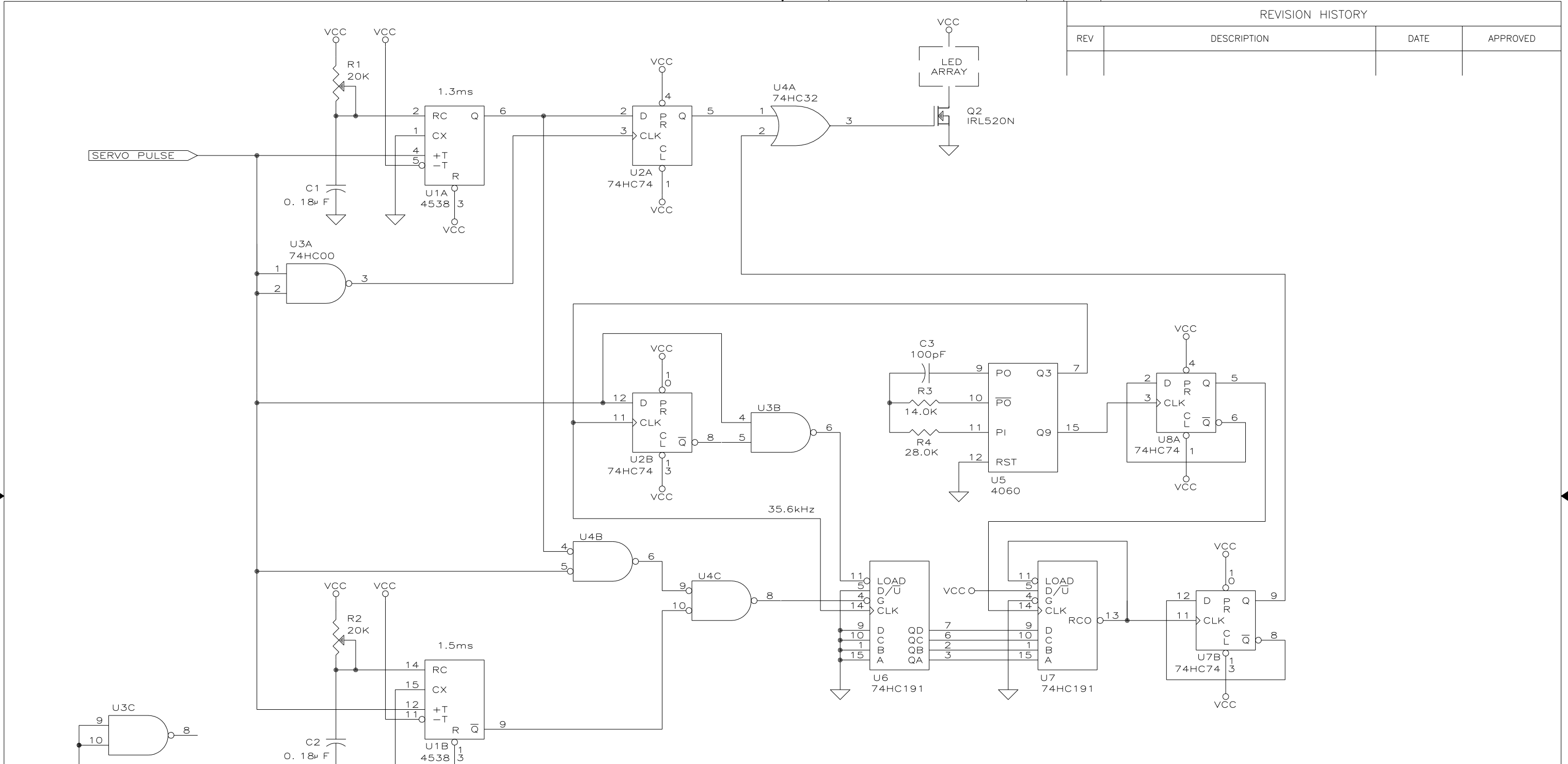


REVISION HISTORY			
REV	DESCRIPTION	DATE	APPROVED



ITEM	QTY REQD	CAGE CODE	PART OR IDENTIFYING NO.	NOMENCLATURE OR DESCRIPTION	MATERIAL SPECIFICATION
PARTS LIST					
UNLESS OTHERWISE SPECIFIED DIMENSIONS ARE IN INCHES TOLERANCES ARE: FRACTIONS DECIMALS ANGLES ± 1/32 .XX ± 0.005 ± 1° .XXX ± 0.001				CONTRACT NO.	
MATERIAL				APPROVALS	DATE
FINISH				CHECKED	
NEXT ASSY				ISSUED	J FIELDS 22JUL05
APPLICATION				SCALE	NTS
USED ON				SIZE	B
DO NOT SCALE DRAWING				CAGE CODE	ØNM76
				DWG. NO.	SED20050722
				REV.	
				SHEET	1 OF 1

 Austin Instruments, Inc.
Austin, Republic of Texas

VARIABLE SPEED FLASHER

SIZE B CAGE CODE ØNM76 DWG. NO. SED20050722 REV.
SCALE NTS SHEET 1 OF 1