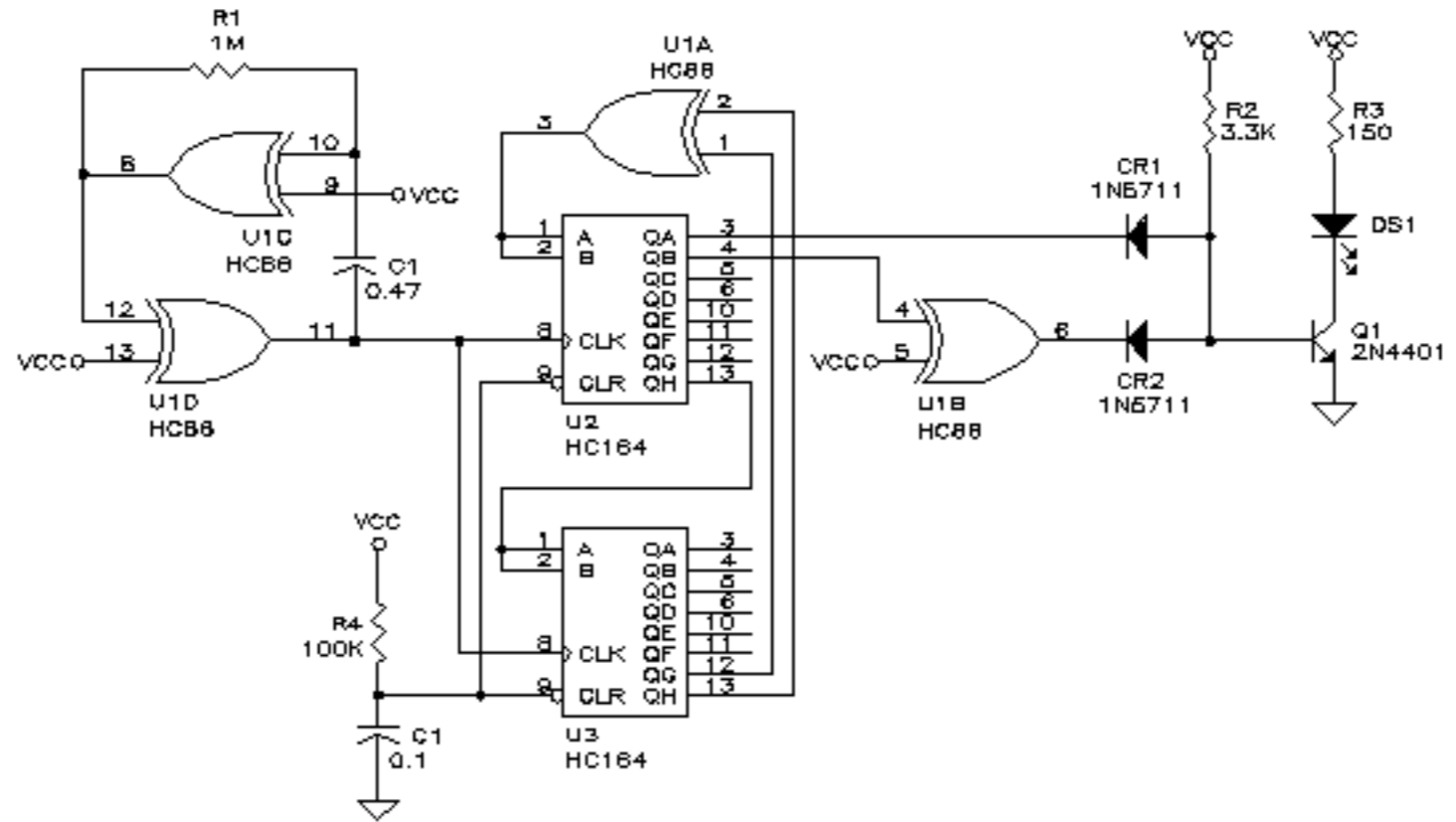



DWG. NO. 9999-100 SH 1 REV B

APPLICATION		REVISIONS			
NEXT ASSY	USED ON	REV.	DESCRIPTION	DATE	APPROVED



UNLESS OTHERWISE SPECIFIED: DIMENSIONS ARE IN INCHES TOLERANCES ARE: FRACTIONS DECIMALS ANGLES ±1/32 .XX ± 0.005 ± 1° XXX ± 0.001	CONTRACT NO.		 Austin Instruments, Inc. Austin, Republic of Texas			
	APPROVALS	DATE				
MATERIAL	DRAWN		PSEUDO-RANDOM FLASHER			
FINISH	CHECKED		SIZE	CAGE CODE	DWG. NO.	REV.
	ISSUED	J FIELDS 05OCT03	A	ØNM76	9999-100	B
DO NOT SCALE DRAWING			SCALE	NTS	SHEET	1 OF 1