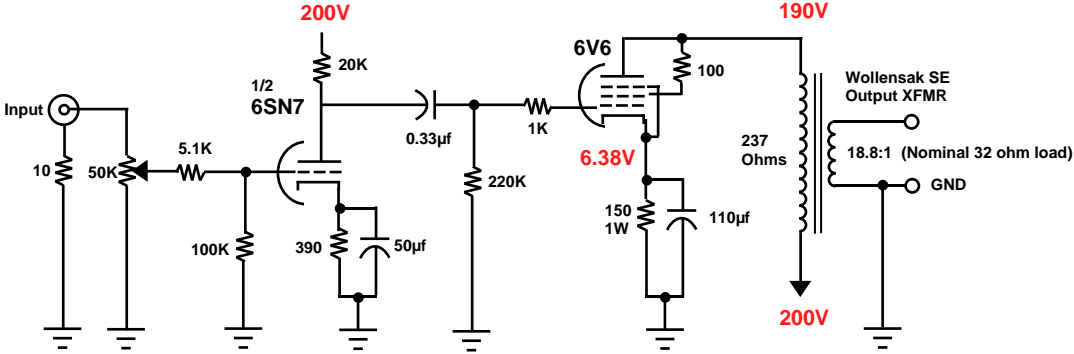


DON'S HEADPHONE AMPLIFIER



Driver Stage

Gain: 14.05
Zout: 5.41k

Output Stage

Gain: 5.57
Plate idle current: 44mA
Peak input voltage: 6V
Plate diss. @ idle: 8.06 W
Output into Load: 170 mW
Output Impedance: 3.84 ohm
Distortion: 2.2%