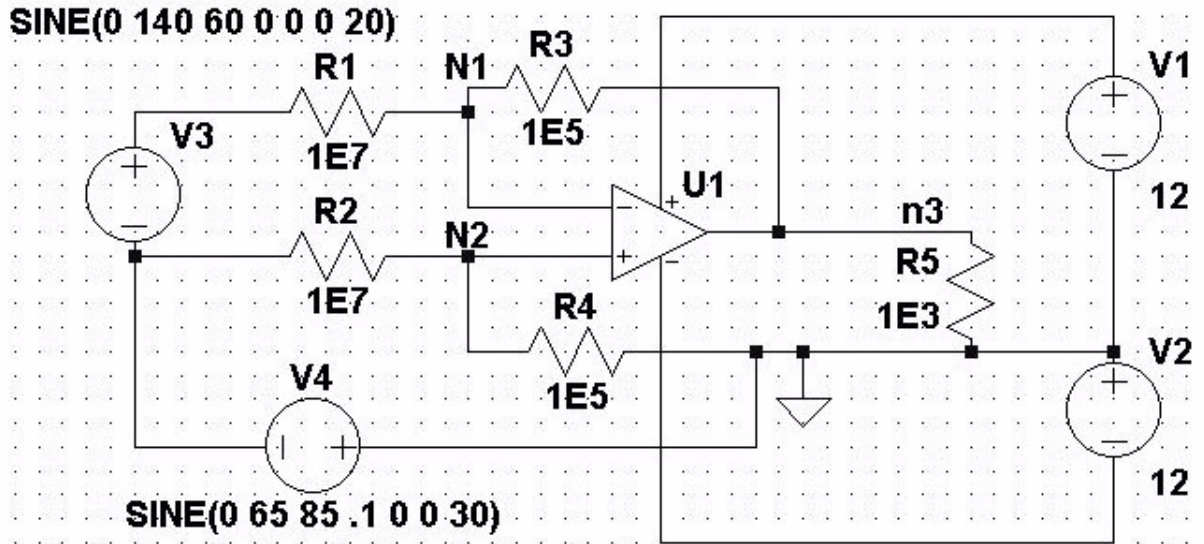
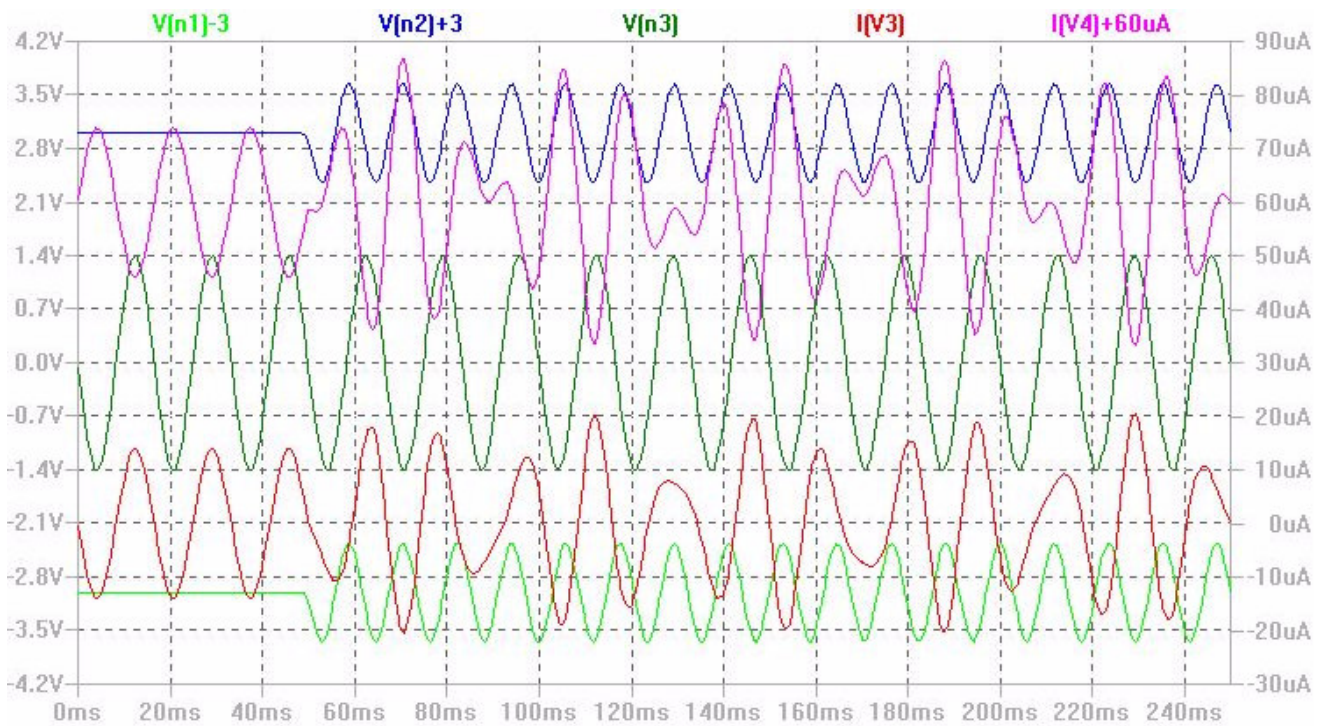


Diff Amp



.tran 0 .3 .05



Version 4
SHEET 1 880 680
WIRE -256 176 -256 160
WIRE -256 384 -256 256
WIRE -176 384 -256 384
WIRE -160 160 -256 160
WIRE -160 256 -256 256
WIRE -32 160 -80 160
WIRE -32 160 -32 144
WIRE -32 224 -32 160
WIRE -32 256 -80 256
WIRE -32 320 -32 256
WIRE -16 144 -32 144
WIRE 0 320 -32 320
WIRE 64 224 -32 224
WIRE 64 256 -32 256
WIRE 96 208 96 96
WIRE 96 448 96 272
WIRE 160 320 80 320
WIRE 160 384 -96 384
WIRE 160 384 160 320
WIRE 176 144 64 144
WIRE 176 240 128 240
WIRE 176 240 176 144
WIRE 192 320 160 320
WIRE 192 352 192 320
WIRE 272 240 176 240
WIRE 304 240 272 240
WIRE 304 320 192 320
WIRE 400 96 96 96
WIRE 400 128 400 96
WIRE 400 320 304 320
WIRE 400 320 400 208
WIRE 400 448 96 448
WIRE 400 448 400 400
FLAG 192 352 0
FLAG -32 144 N1
FLAG -32 256 N2
FLAG 272 240 n3
SYMBOL Opamps\2pole 96 240 R0
SYMATTR InstName U1
SYMBOL res -64 144 R90
WINDOW 0 0 56 VBottom 0
WINDOW 3 32 56 VTop 0
SYMATTR InstName R1
SYMATTR Value 1E7
SYMBOL res -64 240 R90
WINDOW 0 0 56 VBottom 0
WINDOW 3 32 56 VTop 0
SYMATTR InstName R2
SYMATTR Value 1E7
SYMBOL res 80 128 R90
WINDOW 0 0 56 VBottom 0
WINDOW 3 32 56 VTop 0
SYMATTR InstName R3
SYMATTR Value 1E5
SYMBOL res 96 304 R90
WINDOW 0 0 56 VBottom 0
WINDOW 3 32 56 VTop 0
SYMATTR InstName R4
SYMATTR Value 1E5
SYMBOL res 320 336 R180
WINDOW 0 36 76 Left 0
WINDOW 3 36 40 Left 0
SYMATTR InstName R5

SYMATTR Value 1E3
SYMBOL voltage 400 112 R0
WINDOW 123 0 0 Left 0
WINDOW 39 0 0 Left 0
SYMATTR InstName V1
SYMATTR Value 12
SYMBOL voltage 400 304 R0
WINDOW 123 0 0 Left 0
WINDOW 39 0 0 Left 0
SYMATTR InstName V2
SYMATTR Value 12
SYMBOL voltage -256 160 R0
WINDOW 3 -84 -60 Left 0
WINDOW 123 0 0 Left 0
WINDOW 39 0 0 Left 0
SYMATTR InstName V3
SYMATTR Value SINE(0 140 60 0 0 0 20)
SYMBOL voltage -80 384 R90
WINDOW 0 -32 56 VBottom 0
WINDOW 3 32 56 VTop 0
WINDOW 123 0 0 Left 0
WINDOW 39 0 0 Left 0
SYMATTR InstName V4
SYMATTR Value SINE(0 65 85 .1 0 0 30)
TEXT -342 506 Left 0 !.tran 0 .3 .05