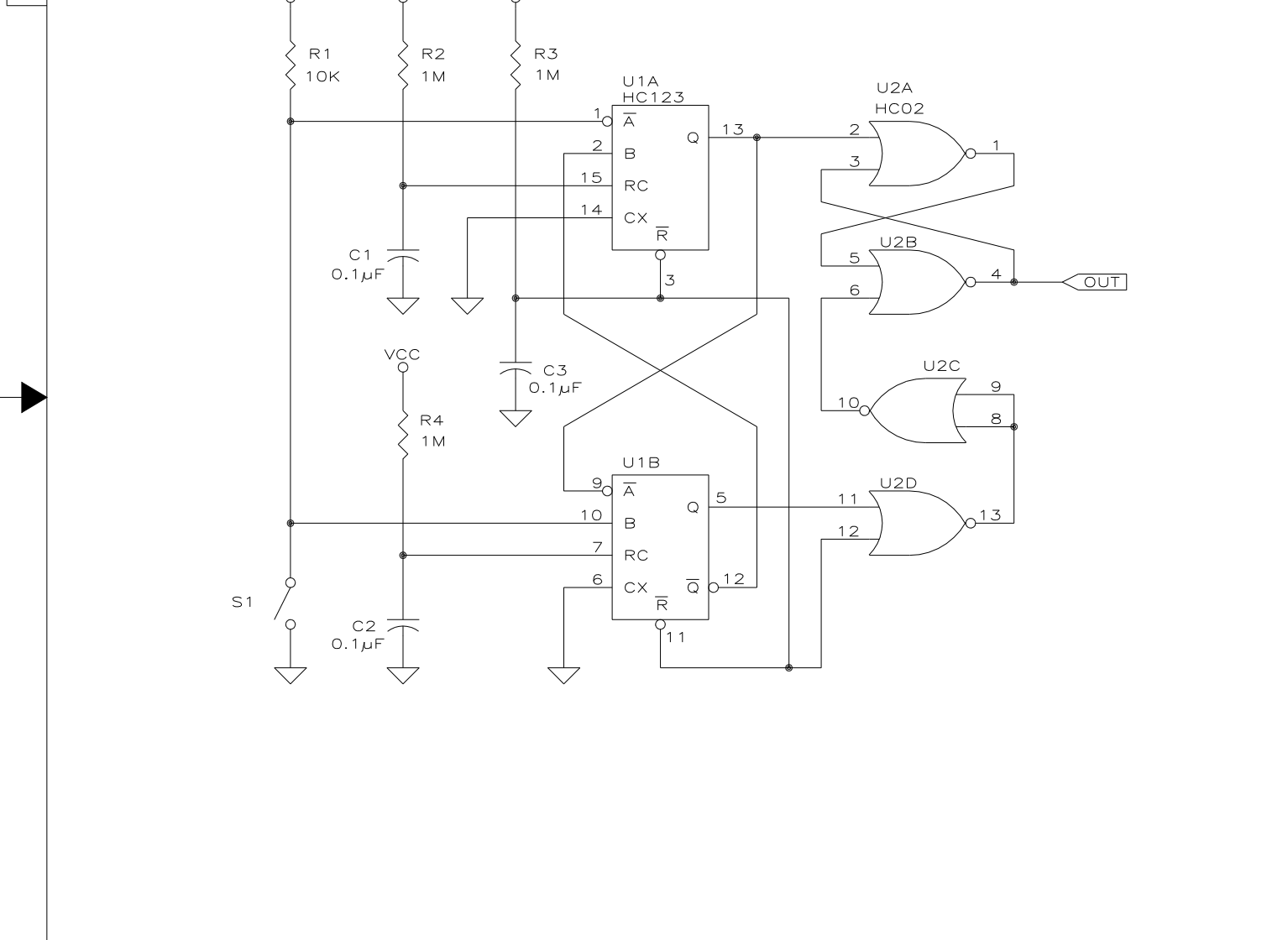



REV.	APPLICATION			REVISIONS		
	NEXT ASSY	USED ON	REV.	DESCRIPTION	DATE	APPROVED

SH 1						
------	--	--	--	--	--	--



UNLESS OTHERWISE SPECIFIED DIMENSIONS ARE IN INCHES TOLERANCES ARE: FRACTIONS DECIMALS ANGLES ± 1/32 .XX ± 0.005 ± 1° .XXX ± 0.001	CONTRACT NO.		 Austin Instruments, Inc. Austin, Republic of Texas				
	APPROVALS	DATE					SPST SWITCH MAKE AND BREAK DEBOUNCER
MATERIAL	DRAWN		SIZE	CAGE CODE	DWG. NO.	REV.	
FINISH	CHECKED		A	ØNM76	SED20051020		
DO NOT SCALE DRAWING	ISSUED	J FIELDS	200CT05	SCALE	NTS	DEBOUNCE.DWG	SHEET 1 OF 1