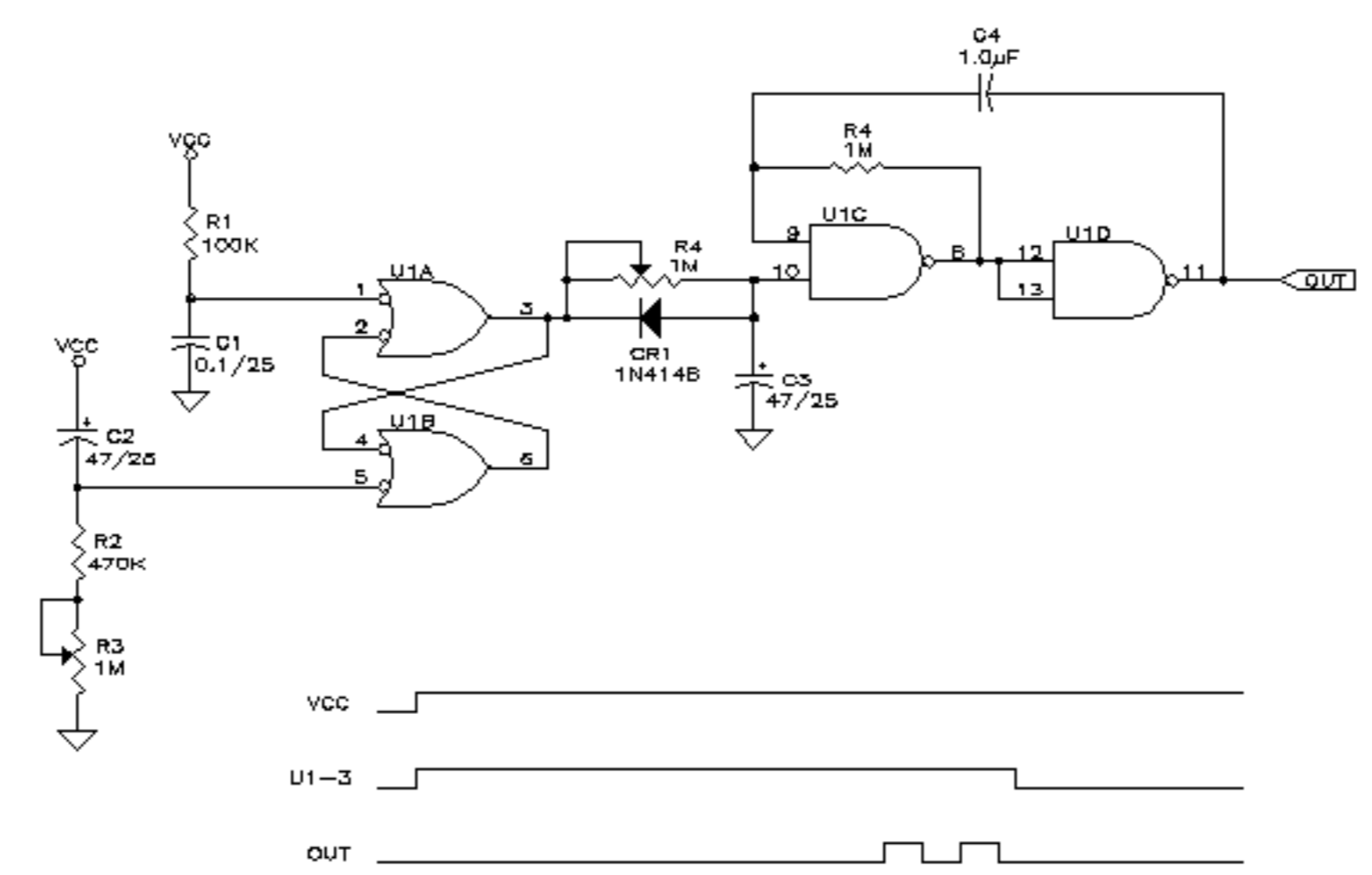


REV.	APPLICATION		REVISIONS			
	NEXT ASSY	USED ON	REV.	DESCRIPTION	DATE	APPROVED

DWG. NO. SH 1



UNLESS OTHERWISE SPECIFIED DIMENSIONS ARE IN INCHES TOLERANCES ARE: FRACTIONS DECIMALS ANGLES ±1/32 .001 ± 1° .000 ± 0.001	CONTRACT NO.		Austin Instruments, Inc. Austin, Republic of Texas			
	APPROVALS	DATE	DELAYED POWER-ON DUAL PULSE GENERATOR			
MATERIAL	DRAWN		SIZE	CAGE CODE	DWG. NO.	REV.
FINISH	CHECKED		A	ØNM76	99700001	
DO NOT SCALE DRAWING	ISSUED J FIELDS	07JAN04	SCALE NTS	SHEET 1 OF 1		