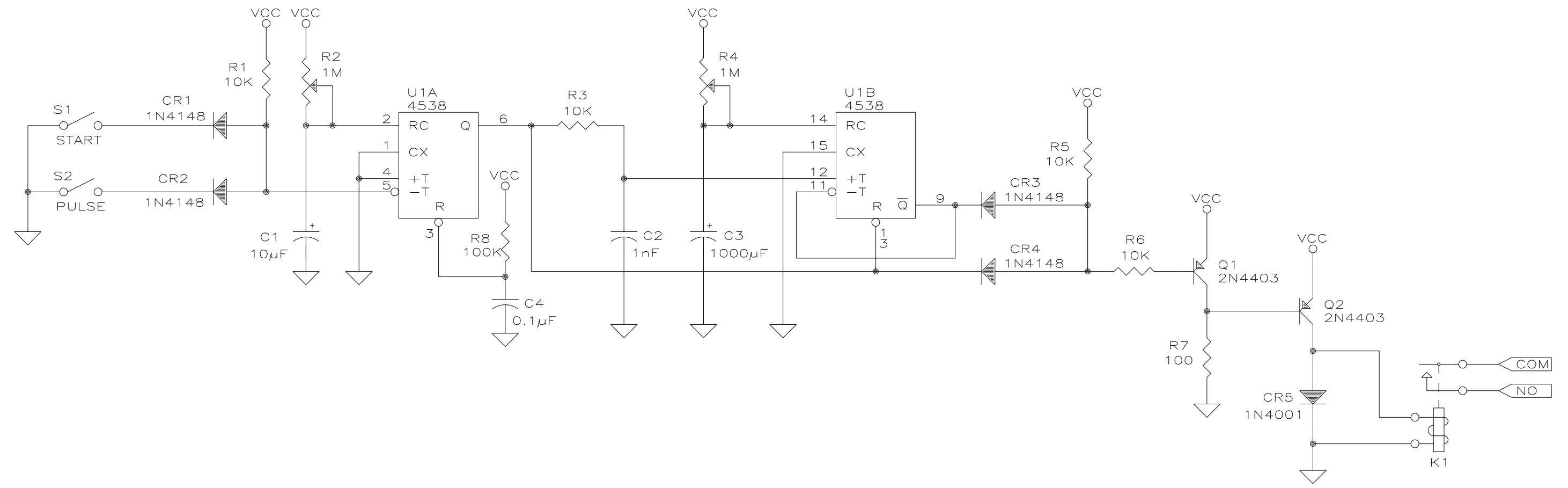


REVISION HISTORY			
REV	DESCRIPTION	DATE	APPROVED



ITEM	QTY REQD	CAGE CODE	PART OR IDENTIFYING NO.	NOMENCLATURE OR DESCRIPTION	MATERIAL SPECIFICATION
PARTS LIST					
UNLESS OTHERWISE SPECIFIED DIMENSIONS ARE IN INCHES TOLERANCES ARE: FRACTIONS DECIMALS ANGLES ± 1/32 .XX ± 0.005 ± 1° .XXX ± 0.001				CONTRACT NO.	
MATERIAL				APPROVALS	DATE
FINISH				CHECKED	
NEXT ASSY USED ON				ISSUED J FIELDS	12JUN05
APPLICATION				DO NOT SCALE DRAWING	
SIZE B		CAGE CODE ØNM76		DWG. NO. SED20050712	
SCALE NTS				SHEET 1 OF 1	

 Austin Instruments, Inc.
Austin, Republic of Texas

BICYCLE RIDE TIMER