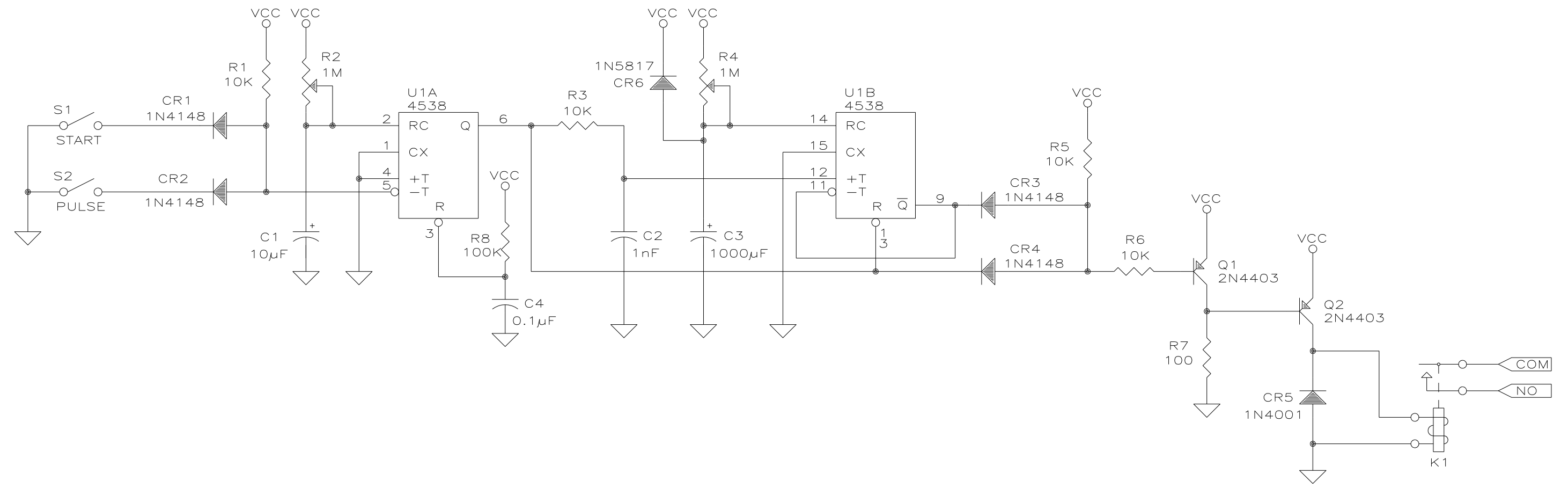


REVISION HISTORY			
REV	DESCRIPTION	DATE	APPROVED
A	CR5 REVERSED	07JUL05	
B	ADDED CR6	07JUL05	



ITEM	QTY REQD	CAGE CODE	PART OR IDENTIFYING NO.	NOMENCLATURE OR DESCRIPTION	MATERIAL SPECIFICATION
PARTS LIST					
UNLESS OTHERWISE SPECIFIED DIMENSIONS ARE IN INCHES TOLERANCES ARE: FRACTIONS DECIMALS ANGLES ± 1/32 .XX ± 0.005 ± 1° .XXX ± 0.001				CONTRACT NO.	
MATERIAL				APPROVALS	DATE
FINISH				CHECKED	
NEXT ASSY	USED ON	ISSUED J FIELDS		12JUN05	
APPLICATION				DO NOT SCALE DRAWING	
		SIZE B	CAGE CODE ØNM76	DWG. NO. SED20050712	REV. B
				SCALE NTS	SHEET 1 OF 1

 Austin Instruments, Inc.
Austin, Republic of Texas

BICYCLE RIDE TIMER