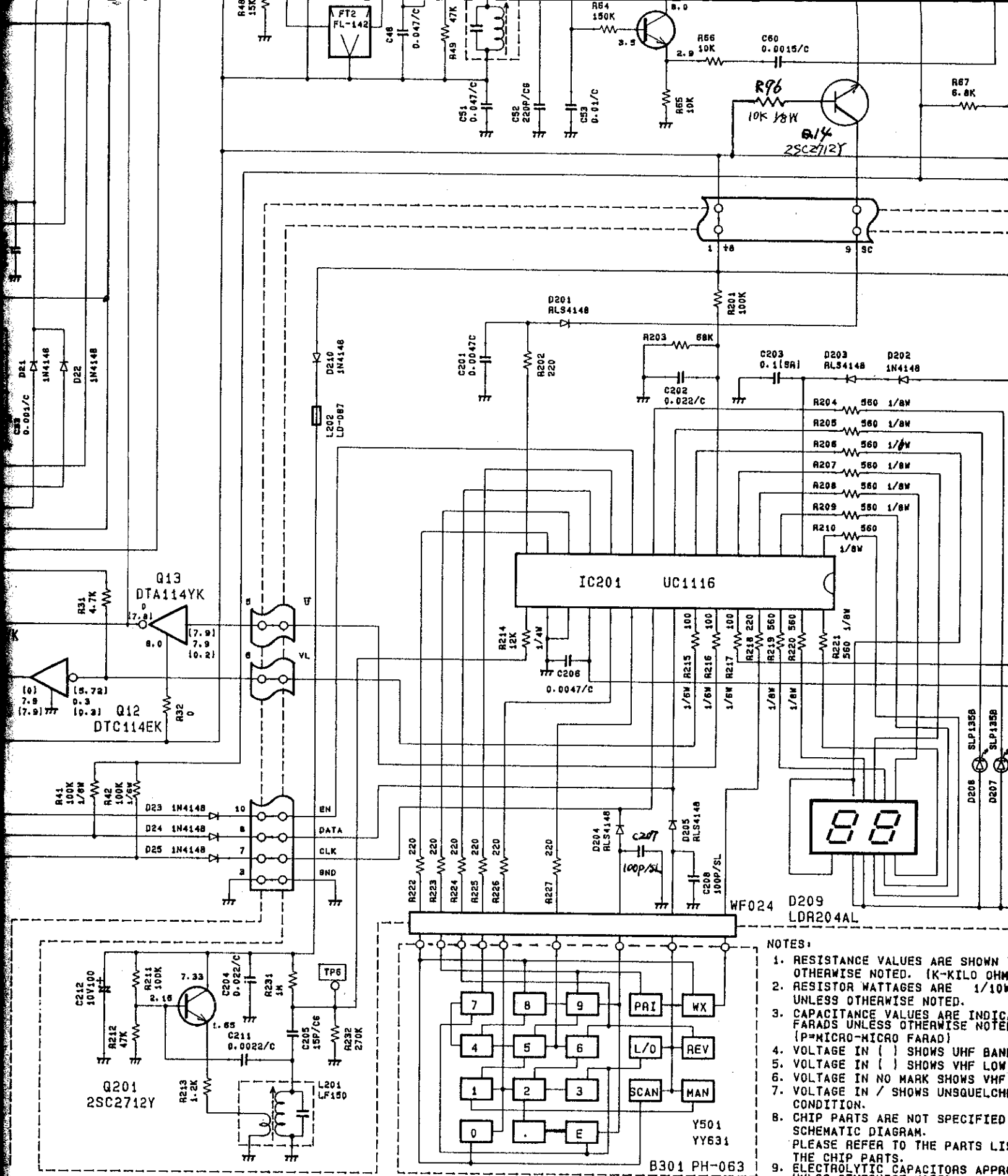


NOTES:

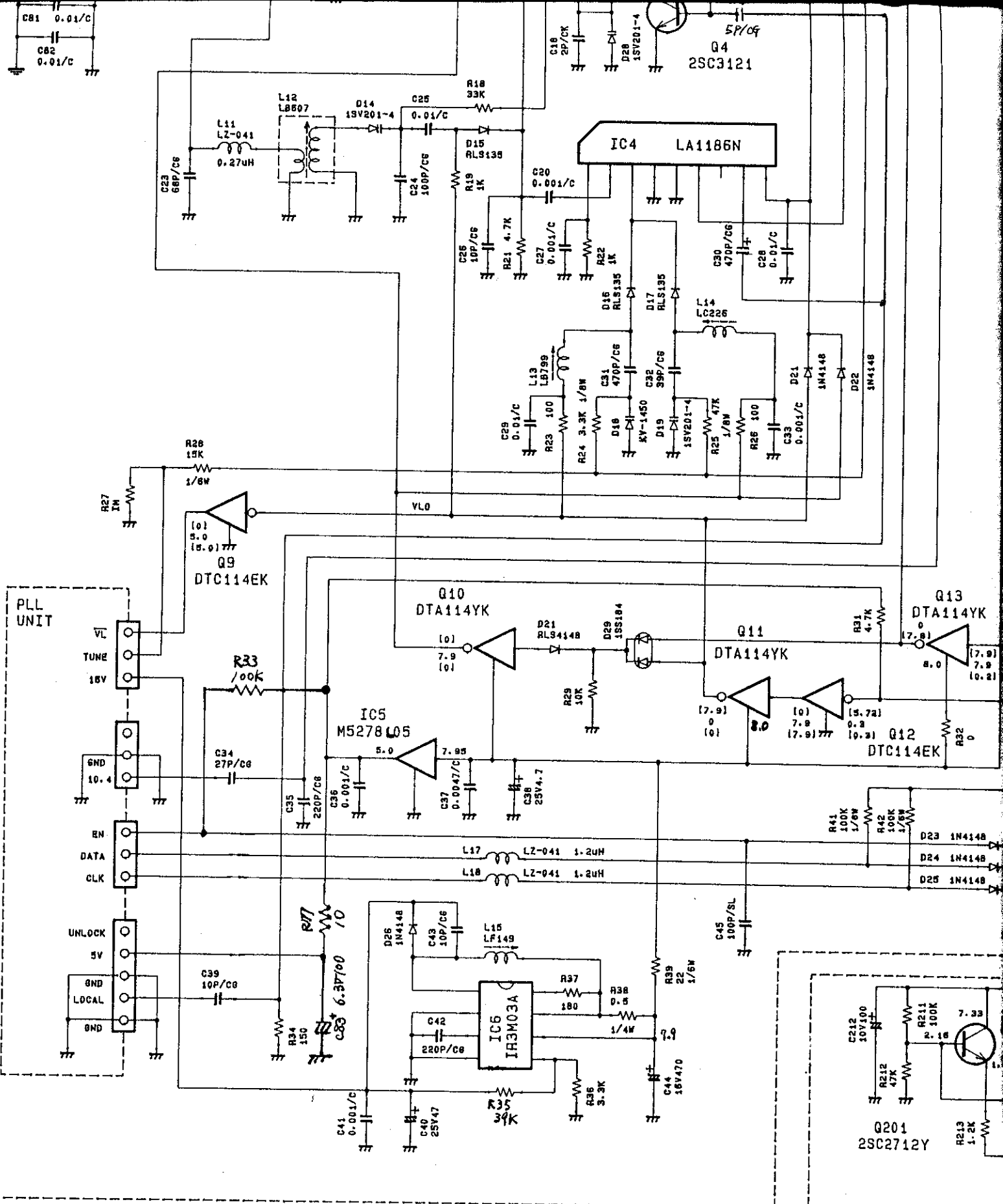
1. RESISTANCE VALUES ARE SHOWN IN OHMS UNLESS OTHERWISE NOTED. (K-KILO OHM, M-MEG OHM)
2. RESISTOR WATTAGES ARE 1/10W UNLESS OTHERWISE NOTED.
3. CAPACITANCE VALUES ARE INDICATED IN MICRO FARADS UNLESS OTHERWISE NOTED. (P=MICRO-MICRO FARAD)
4. VOLTAGE IN ( ) SHOWS UHF BAND CONDITION.
5. VOLTAGE IN { } SHOWS VHF LOW BAND CONDION.
6. VOLTAGE IN NO MARK SHOWS VHF HIGH BAND CONDITION.
7. VOLTAGE IN / SHOWS UNSQUELCHED/SQUELCH CONDITION.
8. CHIP PARTS ARE NOT SPECIFIED IN THIS SCHEMATIC DIAGRAM. PLEASE REFER TO THE PARTS LIST FOR THE CHIP PARTS.
9. ELECTROLYTIC CAPACITORS APPROVAL NO. ARE C-130 UNLSS OTHERWISE NOTED.

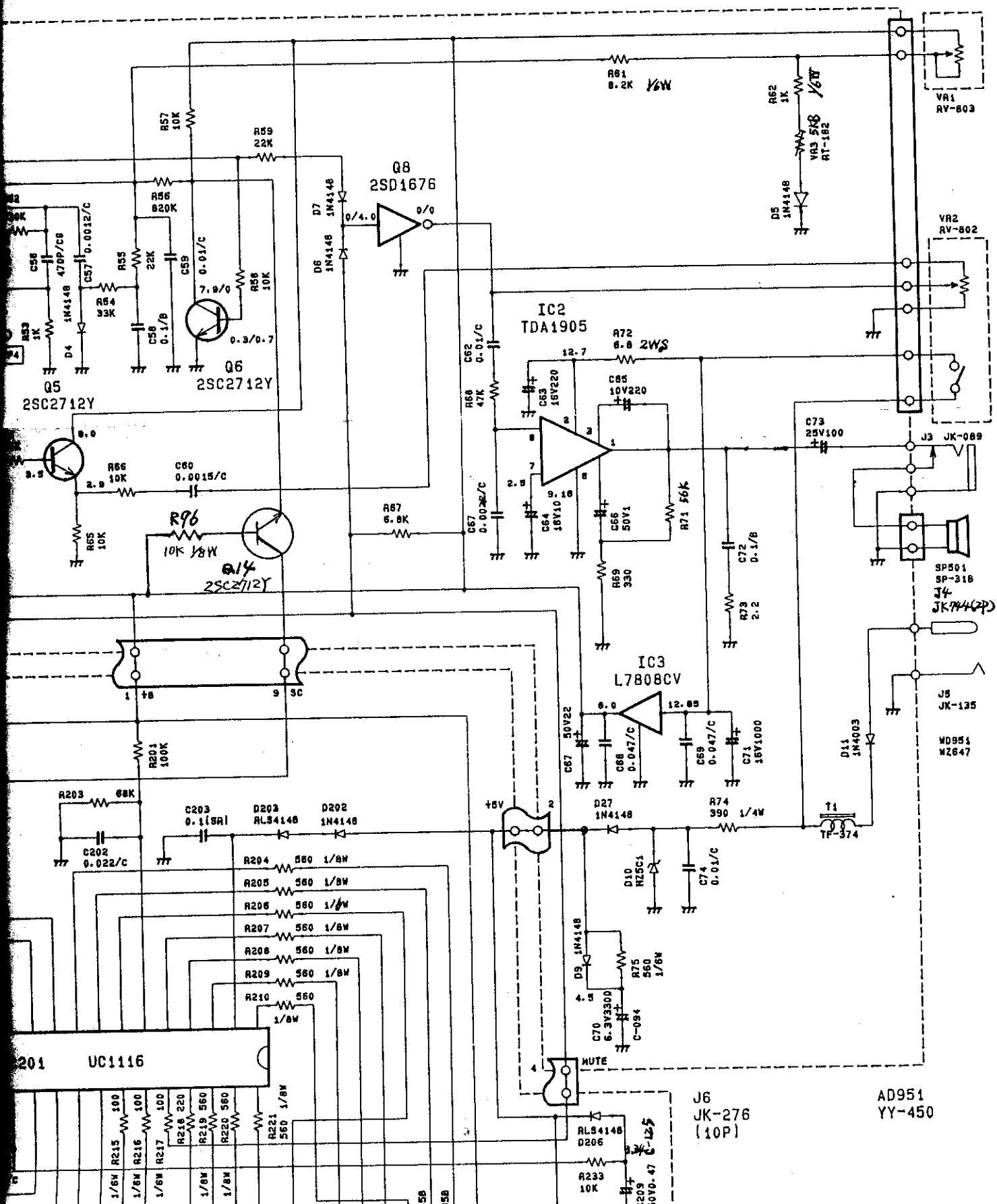
DESIGN	DRAWN BY	UNIDEN NO.	MODEL NO.
	93.8.19	UB-201D	BC560XLA
KUROKI	LORNA	TITLE	
CHECK BY	APPRO BY	SCHEMATIC DIAGRAM	
		DRAWING NO.	
REV. NO.		UNIDEN CORP.	

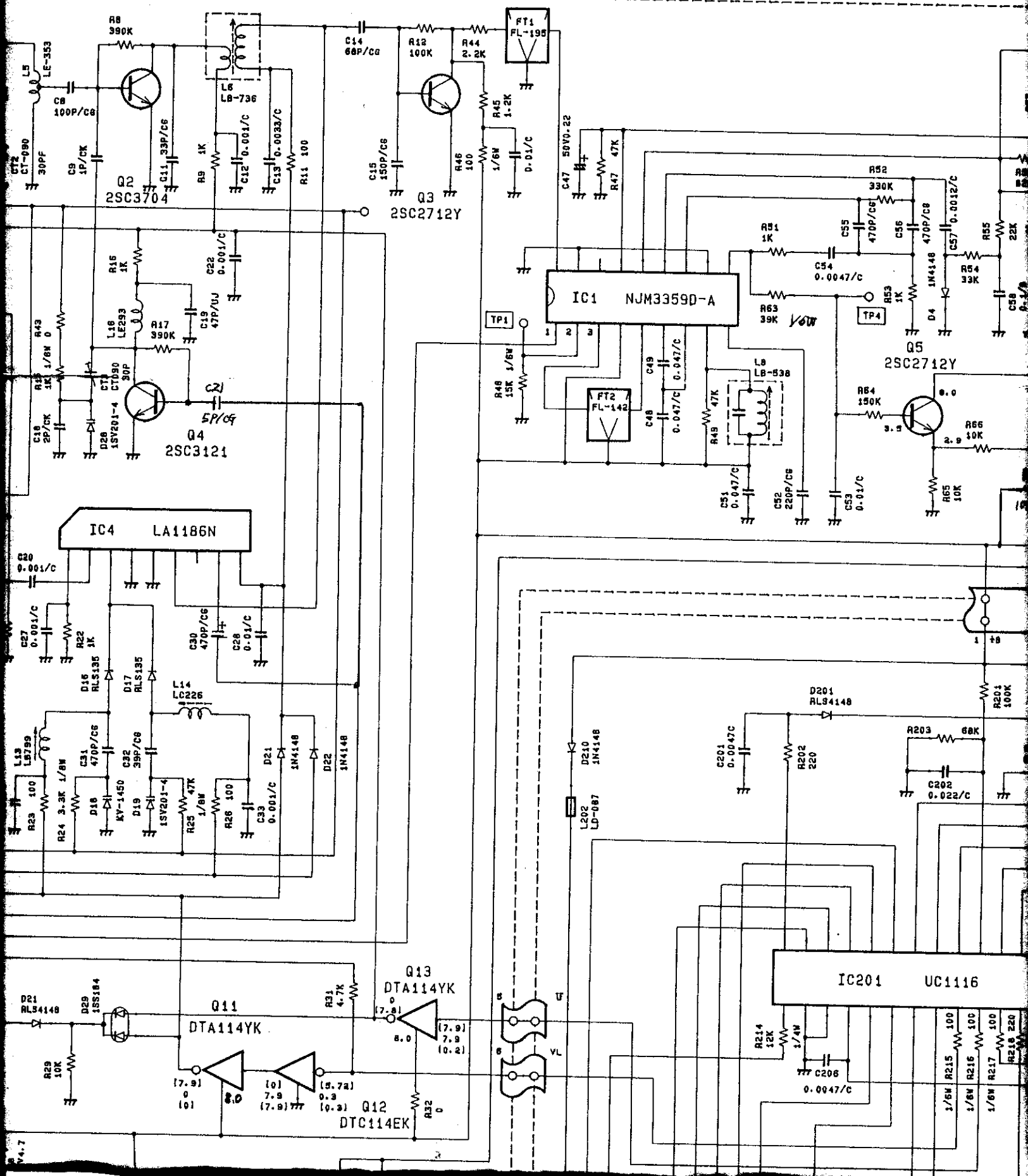
Y501  
YY631  
001 PH-063



- NOTES:
1. RESISTANCE VALUES ARE SHOWN OTHERWISE NOTED. (K-KILO OHM)
  2. RESISTOR WATTAGES ARE 1/10W UNLESS OTHERWISE NOTED.
  3. CAPACITANCE VALUES ARE INDICATED IN FARADS UNLESS OTHERWISE NOTED (P=MICRO-MICRO FARAD)
  4. VOLTAGE IN ( ) SHOWS UHF BAND
  5. VOLTAGE IN ( ) SHOWS VHF LOW
  6. VOLTAGE IN NO MARK SHOWS VHF HIGH
  7. VOLTAGE IN / SHOWS UNSQUELCH CONDITION.
  8. CHIP PARTS ARE NOT SPECIFIED IN SCHEMATIC DIAGRAM. PLEASE REFER TO THE PARTS LIST FOR THE CHIP PARTS.
  9. ELECTROLYTIC CAPACITORS APPROXIMATELY UNLESS OTHERWISE NOTED.







B1 PH-164

